

Service
Service
Service



Service Manual



TABLE OF CONTENTS

Handling chip components 1-1
 Leadfree and safety information 1-2

Technical specification 2-1
 Service tools 2-1
 Service measurement setup 2-2

Connections and controls 3-1...3-4
 Dismantling instructions 4-1...4-2

Software version check and upgrading 5-1

Block diagram 6-1
 Wiring diagram 6-2

VFD Board
 circuit diagram 7-1
 layout diagram 7-2

Tuner Board
 circuit diagram 8-1
 layout diagram 8-2

CPU Board
 circuit diagram 9-1
 layout diagram 9-2

AMP Board & Power Board
 circuit diagram 10-1
 layout diagram 10-2...10-4

Woofer AMP Board
 circuit diagram 11-1
 layout diagram 11-2...11-3

DVD MPEG Board
 circuit diagram 12-1...12-4
 layout diagram 12-5

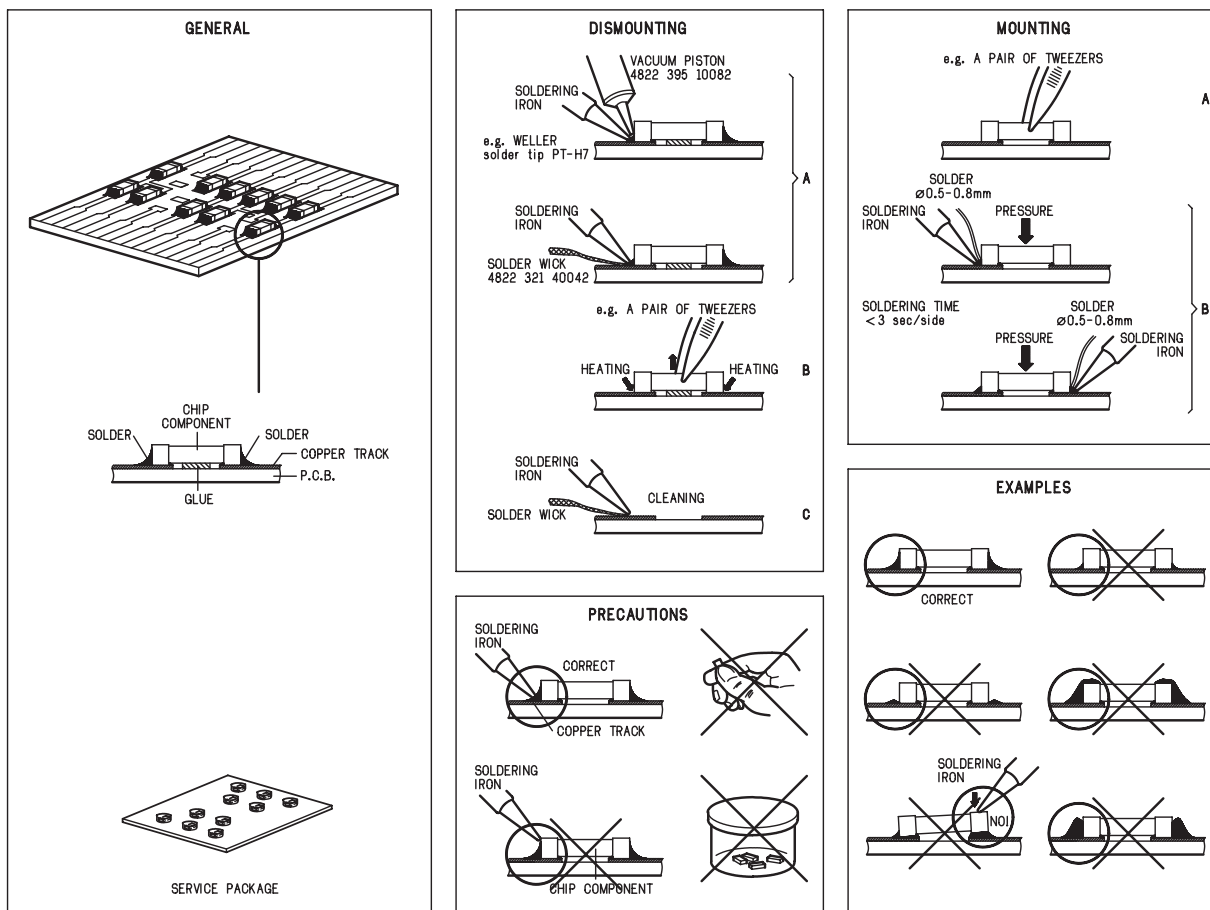
Exploded view diagram 13-1
 Mechanical partslist 13-2

Electrical partslist 14-1...14-3
 Revision list 15-1

© Copyright 2006 Philips Consumer Electronics B.V. Eindhoven, The Netherlands
 All rights reserved. No part of this publication may be reproduced, stored in a retrieval system or transmitted, in any form or by any means, electronic, mechanical, photocopying, or otherwise without the prior permission of Philips.



HANDLING CHIP COMPONENTS



(GB) WARNING

All ICs and many other semiconductors are susceptible to electrostatic discharges (ESD). Careless handling during repair can reduce life drastically. When repairing, make sure that you are connected with the same potential as the mass of the set via a wristband with resistance. Keep components and tools at this potential.

ESD



(NL) WAARSCHUWING

Alle IC's en vele andere halfgeleiders zijn gevoelig voor electrostatische ontladingen (ESD). Onzorgvuldig behandelen tijdens reparatie kan de levensduur drastisch doen verminderen. Zorg ervoor dat u tijdens reparatie via een polsband met weerstand verbonden bent met hetzelfde potentiaal als de massa van het apparaat. Houd componenten en hulpmiddelen ook op ditzelfde potentiaal.

(F) ATTENTION

Tous les IC et beaucoup d'autres semi-conducteurs sont sensibles aux décharges statiques (ESD). Leur longévité pourrait être considérablement écourtée par le fait qu'aucune précaution n'est prise à leur manipulation. Lors de réparations, s'assurer de bien être relié au même potentiel que la masse de l'appareil et enfilez le bracelet seré d'une résistance de sécurité. Veiller à ce que les composants ainsi que les outils que l'on utilise soient également à ce potentiel.

(D) WARNUNG

Alle ICs und viele andere Halbleiter sind empfindlich gegenüber elektrostatischen Entladungen (ESD). Unvorsichtige Behandlung im Reparaturfall kann die Lebensdauer drastisch reduzieren. Sorgen Sie dafür, daß Sie im Reparaturfall über ein Pulsarmband mit Widerstand mit dem Massepotential des Gerätes verbunden sind. Halten Sie Bauteile und Hilfsmittel ebenfalls auf diesem Potential.

(I) AVVERTIMENTO

Tutti IC e parecchi semi-conduttori sono sensibili alle scariche statiche (ESD). La loro longevità potrebbe essere fortemente ridotta in caso di non osservazione della più grande cautela alla loro manipolazione. Durante le riparazioni occorre quindi essere collegato allo stesso potenziale che quello della massa dell'apparecchio tramite un braccialetto a resistenza. Assicurarsi che i componenti e anche gli utensili con quali si lavora siano anche a questo potenziale.

SAFETY



(GB)

Safety regulations require that the set be restored to its original condition and that parts which are identical with those specified be used. Safety components are marked by the symbol

(F)

Les normes de sécurité exigent que l'appareil soit remis à l'état d'origine et que soient utilisées les pièces de rechange identiques à celles spécifiées. Les composants de sécurité sont marqués

(D)

Bei jeder Reparatur sind die geltenden Sicherheitsvorschriften zu beachten. Der Originalzustand des Gerätes darf nicht verändert werden. Für Reparaturen sind Originalersatzteile zu verwenden. Sicherheitsbauteile sind durch das Symbol markiert.

(NL)

Veiligheidsbepalingen vereisen, dat het apparaat in zijn oorspronkelijke toestand wordt teruggebracht en dat onderdelen, identiek aan de gespecificeerde, worden toegepast. De Veiligheidsonderdelen zijn aangeduid met het symbool

(I)

Le norme di sicurezza estigono che l'apparecchio venga rimesso nelle condizioni originali e che siano utilizzati i pezzi di ricambio identici a quelli specificati. Componenti di sicurezza sono marcati con



(GB) DANGER:

Invisible laser radiation when open. AVOID DIRECT EXPOSURE TO BEAM.

(S) Varning !

Osynlig laserstråling när apparaten är öppnad och spårren är urkopplad. Betrakta ej strålen.

(DK) Advarsel !

Usynlig laserstråling ved åbning når sikkerhedsafbrydere er ude af funktion. Undgå udsættelse for stråling.

(FIN) Varoitus !

Avatussa laitteessa ja suojalukituksen ohitettaessa olet alttiina näkymättömälle laserisäteilylle. Älä katso säteeseen !

(GB)

After servicing and before returning the set to customer perform a leakage current measurement test from all exposed metal parts to earth ground, to assure no shock hazard exists. The leakage current must not exceed 0.5mA.

(F)

"Pour votre sécurité, ces documents doivent être utilisés par des spécialistes agréés, seuls habilités à réparer votre appareil en panne".

INFORMATION ABOUT LEAD-FREE SOLDERING

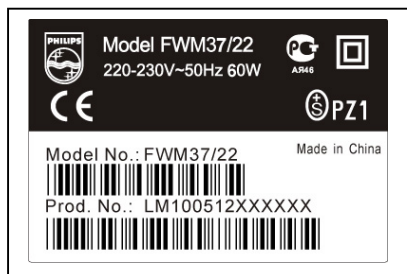
Philips CE is producing lead-free sets from 1.1.2005 onwards.

IDENTIFICATION:

Regardless of special logo (not always indicated) one must treat all sets from 1 Jan 2005 onwards, according next rules:



Example S/N:



Bottom line of typeplate gives a 14-digit S/N. Digit 5&6 is the year, digit 7&8 is the week number, so in this case 2005 wk12

So from 0501 onwards = from 1 Jan 2005 onwards

Important note: In fact also products of year 2004 must be treated in this way as long as you avoid mixing solder-alloys (lead/ lead-free). So best to always use SAC305 and the higher temperatures belong to this.

Due to lead-free technology some rules have to be respected by the workshop during a repair:

- Use only lead-free solder alloy Philips SAC305 with order code 0622 149 00106. If lead-free solder-paste is required, please contact the manufacturer of your solder-equipment. In general use of solder-paste within workshops should be avoided because paste is not easy to store and to handle.
- Use only adequate solder tools applicable for lead-free solder alloy. The solder tool must be able
 - To reach at least a solder-temperature of 400°C,
 - To stabilize the adjusted temperature at the solder-tip
 - To exchange solder-tips for different applications.
- Adjust your solder tool so that a temperature around 360°C – 380°C is reached and stabilized at the solder joint. Heating-time of the solder-joint should not exceed ~ 4 sec. Avoid temperatures above 400°C otherwise wear-out of tips will rise drastically and flux-fluid will be destroyed. To avoid wear-out of tips switch off un-used equipment, or reduce heat.
- Mix of lead-free solder alloy / parts with leaded solder alloy / parts is possible but PHILIPS recommends strongly to avoid mixed solder alloy types (leaded and lead-free).
If one cannot avoid or does not know whether product is lead-free, clean carefully the solder-joint from old solder alloy and re-solder with new solder alloy (SAC305).
- Use only original spare-parts listed in the Service-Manuals. Not listed standard-material (commodities) has to be purchased at external companies.
- **Special information for BGA-ICs:**
 - always use the 12nc-recognizable soldering temperature profile of the specific BGA (for de-soldering always use the lead-free temperature profile, in case of doubt)
 - lead free BGA-ICs will be delivered in so-called 'dry-packaging' (sealed pack including a silica gel pack) to protect the IC against moisture. After opening, dependent of MSL-level seen on indicator-label in the bag, the BGA-IC possibly still has to be baked dry. (MSL=Moisture Sensitivity Level). This will be communicated via AYS-website. Do not re-use BGAs at all.
- For sets produced before 1.1.2005 (except products of 2004), containing leaded solder-alloy and components, all needed spare-parts will be available till the end of the service-period. For repair of such sets nothing changes.
- On our website www.atyourservice.ce.Philips.com you find more information to:
 - BGA-de-/soldering (+ baking instructions)
 - Heating-profiles of BGAs and other ICs used in Philips-sets

You will find this and more technical information within the "magazine", chapter "workshop news".

For additional questions please contact your local repair-helpdesk.

SERVICE INSTRUCTION

Safety regulations require that after a repair, the set must be returned in its original condition. Pay in particular attention to the following points:

- Route the wire trees correctly and fix them with the mounted cable clamps.
- Check the insulation of the AC Power lead for external damage.
- Check the strain relief of the AC Power cord for proper function.
- Check the electrical DC resistance between the AC Power Plug and the secondary side (only for sets which have a AC Power isolated power supply):
 1. Unplug the AC Power cord and connect a wire between the two pins of the AC Power plug.
 2. Set the AC Power switch to the "on" position (keep the AC Power cord unplugged!).
 3. Measure the resistance value between the pins of the AC Power plug and the metal shielding of the tuner or the aerial connection on the set. The reading should be larger than 4.5 Mohm (For U.S. it should be between 4.2 Mohm and 12 Mohm).
 4. Switch "off" the set, and remove the wire between the two pins of the AC Power plug.
- Check the cabinet for defects, to avoid touching of any inner parts by the customer.

TECHNICAL SPECIFICATIONS

SYSTEM

Power supply-/98 110 – 127 / 220 – 240 V;
 50/60 Hz Switchable
 Power supply-/93 220 /50Hz;
 Rated working power consumption (1/8 rated
 output power) \leq 52W
 AUX input sensitivity \leq 350mV
 Channel Separation \geq 40dB
 Distortion 0.7%

DVD

Frequency response 100Hz-20kHz (\pm 1dB)
 Video output 1 V_{P-P}
 Horizontal definition \geq 500 (TV)
 Dimensions 232 (W) x 75.5 (H) x 223.5 (D)
 mm
 Weight 1.85 kg

AMPLIFIER

Rated output power (THD = 10%)
 5 x22W (8 Ω)+1x50W (4 Ω)
 Frequency response 100Hz-20kHz (\pm 1dB)
 S/N Ratio \geq 60dB
 Loaded impedance 8 Ω
 Dimensions 232 (W) x 75.5 (H) x 223.5 (D)
 mm
 Weight 3.55kg

TUNER

FM Frequency range 87.5-108 MHz
 FM Noise limit sensitivity \leq 20 μ V/M
 FM S/N \geq 46dB
 MW Frequency range 531-1602 kHz
 MW Noise limit sensitivity \leq 3.0 μ V/m
 MW S/N \geq 40dB
 Tuning grid 9/10kHz

SPEAKERS

Front Speakers

System 2-way shielded
 Impedance 8 Ω
 Speaker drivers 1x 3" woofer, ribbon tw
 Dimensions (w x h x d) 120mm x 268 mm x 103
 mm
 Weight 0.85 kg

Center Speaker

System 2-way shielded
 Impedance 8 Ω
 Speaker drivers 4 x 2" woofer; 1.75" tw
 Dimensions (w x h x d) ... 435mm x 85 mm x 70
 mm
 Weight 1.3 kg

Surround Speakers

System 2-way shielded
 Impedance 8 Ω
 Speaker drivers 1 x 3" woofer; Pieze
 Dimensions (w x h x d) 120 mm x 268 mm x
 103 mm
 Weight 0.61 kg

SUBWOOFER

Subwoofer (not magnetically shielded design)
 6.5"
 Impedance 4 Ω
 Dimensions (w x h x d) 350 mm x 360 mm x
 185 mm
 Weight 4.7 kg

REMOTE

Distance 6m
 Angle \pm 30 $^{\circ}$

**Specifications subject to change without
 prior notice**

SERVICE TOOLS

TORX T10 screwdriver with shaftlength 150mm.....4822 395 50423

TORX screwdriver set SBC 163.....4822 295 50145

Audio signal disc SBC 429.....4822 397 30184

Playability test disc SBC 444.....4822 397 30245

Test disc 5 (disc without errors) +

Test disc 5A (disc with dropout errors, black spots and fingerprints)

SBC 426/426A.....4822 397 30096

Burn in test disc (65 min. 1kHz signal at -30 dB level without "pause").....4822 397 30155

Universal test cassette Fe SBC 420.....4822 397 30071

AVAILABLE ESD PROTECTION EQUIPMENT

anti-static table mat large 1200x650x1.25mm 4822 466 10953
 small 600x650x1.25mm 4822 466 10958

anti-static wristband 4822 395 10223

connection box (3 press stud connections, 1M Ω) 4822 320 11307

extendible cable (2m, 2M Ω , to connect wristband to connection box) 4822 320 11305

connecting cable (3m, 2M Ω , to connect table mat to connection box) 4822 320 11306

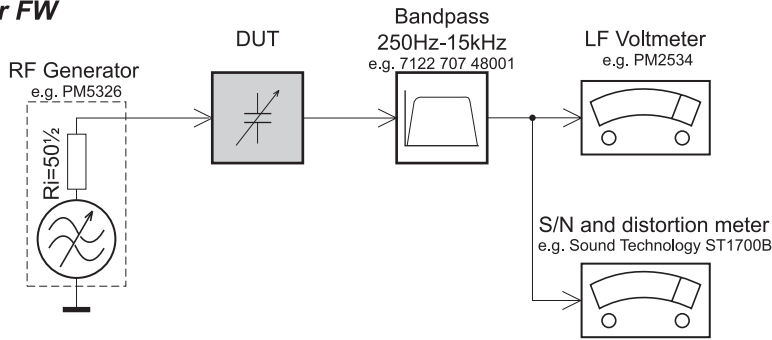
earth cable (1M Ω , to connect any product to mat or to connection box) 4822 320 11308

KIT ESD3 (combining all 6 prior products - small table mat) 4822 310 10671

wristband tester 4822 344 13999

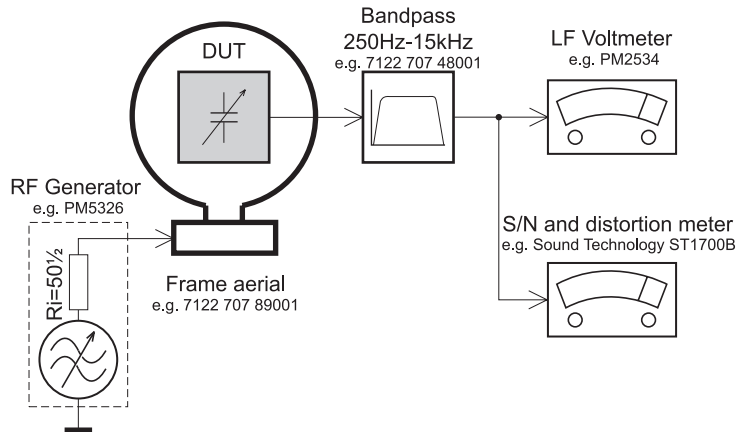
SERVICE MEASUREMENT

Tuner FW



Use a bandpass filter to eliminate hum (50Hz, 100Hz) and disturbance from the pilotone (19kHz, 38kHz).

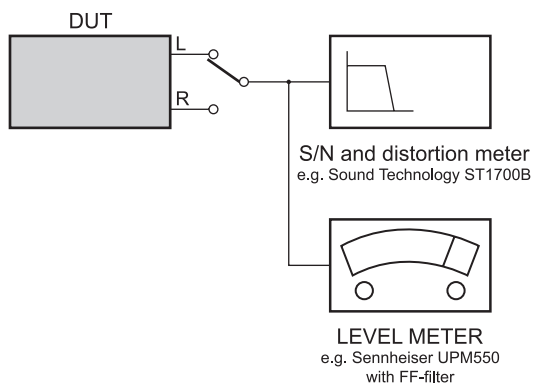
Tuner AM (MW,LW)



To avoid atmospheric interference all AM-measurements have to be carried out in a Faraday«s cage. Use a bandpass filter (or at least a high pass filter with 250kHz) to eliminate hum (50Hz, 100Hz).

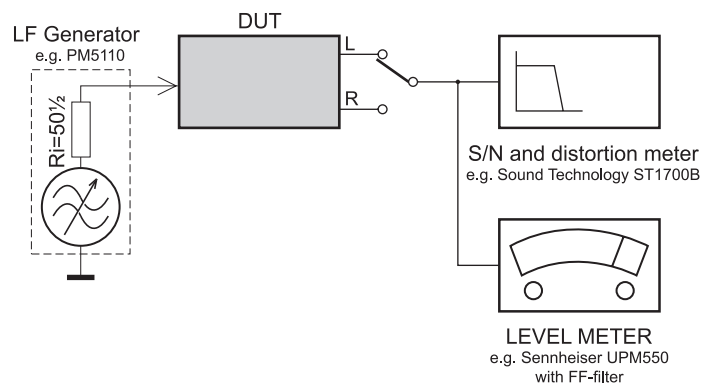
CD

Use Audio Signal Disc SBC429 4822 397 30184
(replaces test disc 3)



RECORDER

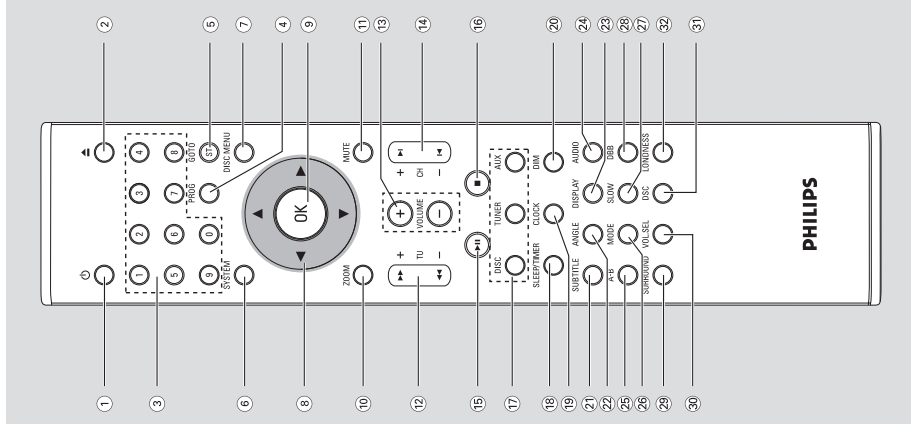
Use Universal Test Cassette Fe SBC420 4822 397 30071



CONNECTION AND CONTROLS

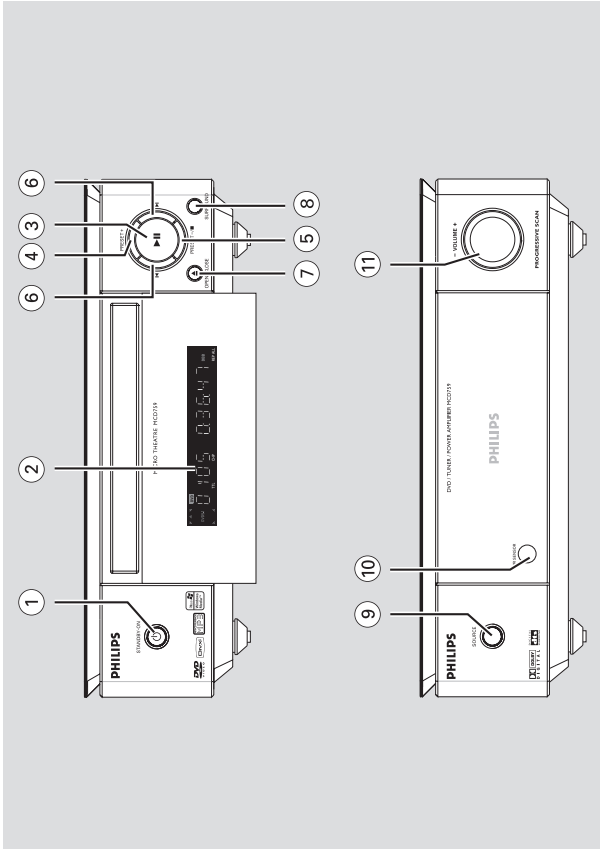
Functional Overview

- Remote control**
- ① switches the system on/ off.
 - ② opens or closes the disc compartment
 - ③ **Numeric Keypad (0-9)**
 - inputs a track/title/chapter number of the disc.
 - inputs the number of a preset radio station.



- ④ **PROG**
 - DVD/VCD/CD: enters the program menu.
 - MP3/WMA-CD: adds/deletes a programmed track to/from the program list.
 - **Picture CD: during playback**: to select a slide show mode.
 - **Tuner**: programs preset radio stations.
- ⑤ **GOTO/ST**
 - **Disc**: fast searches in a disc by entering a time, title, chapter or track.
 - **FM**: sets stereo or mono sound mode.
- ⑥ **SYSTEM (disc mode only)**
 - enters or exits the system menu.
- ⑦ **DISC MENU (disc mode only)**
 - DVD/VCD: enters or exits the disc contents menu.
 - VCD2.0: switches the playback control mode on or off.
 - MP3/WMA: switches between Album and Filelist.
- ⑧ **▲ / ▲ / ▶ / ▶ / ◀ / ◀**
 - selects an item in a menu.
 - moves an enlarged picture up/down/left/right.
- ⑨ **OK**
 - confirms a selection.
- ⑩ **ZOOM**
 - DVD/VCD/Picture CD: enlarges or reduces a picture or active image on the TV screen.
- ⑪ **MUTE**
 - disables or enables sound output.
- ⑫ **TU +/- (◀◀ / ▶▶)**
 - **Tuner**
 - press to tune to a lower/higher radio frequency gradually.
 - press and hold, then release the key to start automatic search for a radio frequency downward/upward.
 - **Disc**
 - searches backward/forward in a disc at different speeds.
- ⑬ **VOLUME +/-**
 - adjusts the volume upward/downward.
 - adjusts the hours and minutes in clock/timer setting mode.
 - switches the set timer ON or OFF.

Functional Overview



- DVD player and power amplifier**
- ① **STANDBY-ON**
 - switches the system on or to standby mode.
 - ② **Display**
 - shows the current status of the DVD player.
 - ③ **▶ ||**
 - starts or interrupts disc playback.
 - ④ **PRESET +**
 - in tuner mode, selects a preset radio station forward.
 - ⑤ **PRESET/■**
 - stops disc playback or erases a program.
 - in tuner mode, selects a preset radio station backward.
 - ⑥ **◀ ||**
 - skips to the previous/next chapter/title/track.
 - **Disc**
 - tunes to a higher/lower radio frequency.
 - press and hold, then release the key to start automatic search for a radio frequency downward/upward.
 - **Tuner**:
 - point the remote control towards this sensor.
 - ⑦ **OPEN-CLOSE**
 - opens or closes the disc tray.
 - ⑧ **SURROUND**
 - selects 2.1 channel output (2.1CH) or 5.1 channel output (SUR5.1 or DVD5.1).
 - ⑨ **SOURCE**
 - selects the respective sound source: DVD/AUX/TUNER (FM)/TUNER (MW).
 - switches the system on.
 - ⑩ **IR SENSOR**
 - point the remote control towards this sensor.
 - ⑪ **VOLUME -/+**
 - adjusts the volume upward/downward.
 - adjusts the hours and minutes in clock/timer setting mode.
 - switches the set timer ON or OFF.

Functional Overview

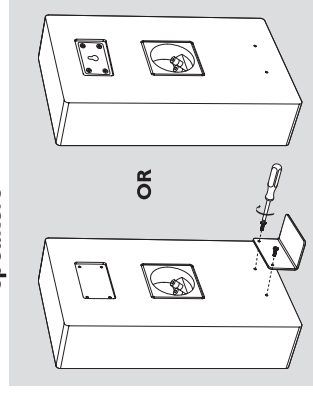
- (14) **CH +/-** (◀ / ▶)
Disc: skips to the previous/next chapter/title/track
Tuner: selects a preset radio station.
- (15) **▶ II**
starts or interrupts disc playback.
- (16) **■**
stops disc playback or erases a program.
- (17) **DISC/TUNER/AUX**
selects the respective sound source for DVD/AUX/FM/MW.
For tuner (TUNER): press to switch between MW and FM.
exits P-SCAN (progressive scan). (Only for **DISC**)
- (18) **SLEEP/TIMER**
Standby mode
sets time for switching on the system automatically.
Power-on mode
sets the sleep timer function (auto off).
- (19) **CLOCK**
Standby mode
sets the system clock.
Playback mode
displays the system clock.
- (20) **DIM**
selects different levels of brightness for the display screen.
- (21) **SUBTITLE**
selects a subtitle language.
- (22) **ANGLE**
selects a DVD camera angle.
- (23) **DISPLAY**
displays information on TV screen during playback
- (24) **AUDIO**
for VCD/DivX
sets Stereo, Mono-Left or Mono-Right sound mode.
- for DVD
selects an audio language.
- (25) **A-B**
repeats playback of a specific section on a disc.
- (26) **MODE**
selects various repeat modes or the shuffle play mode for a disc.
- (27) **SLOW**
selects different slow playback modes for a DivX/VCD/SVCD/DVD.
- (28) **DBB**
enables or disables bass enhancement.
- (29) **SURROUND**
selects 2.1 channel output (2.1CH) or 5.1 channel output (SUR5.1 or DVD5.1).
- (30) **VOL.SEL**
adjusts volume level for individual speakers.
- (31) **DSC**
selects different types of preset sound equalizer settings (FLAT, POPS, JAZZ, CLASSIC or ROCK).
- (32) **LOUDNESS (unavailable for this version)**
enables or disables automatic loudness adjustment.
- Notes for remote control:**
– **First, select the source you wish to control by pressing one of the source select keys on the remote control (DISC or TUNER, for example).**
– **Then select the desired function (▶ II, ◀, ▶ for example).**

Connections

IMPORTANT!

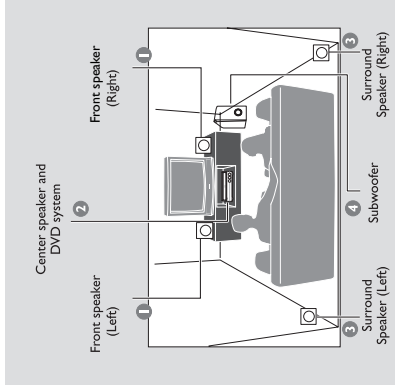
- The type plate is located at the bottom of the system.
- The voltage selector located at the bottom of this system is preset at 220V-240V from the factory. For countries that operate at 110V-127V, please adjust to 110V-127V before you switch on the system.
- Before connecting the AC power cord to the wall outlet, ensure that all other connections have been made.
- Never make or change any connections with the power switched on.
- A separate power switch is provided on the back of the subwoofer. Please switch it on after completing all connections in order to enjoy 5.1-channel sound output.

Step 1: Set up the surround speakers



- 1 Before connecting the speakers to the DVD system, firmly attach the mini speaker stands to the surround speakers as shown in the above diagram.
 - OR
 - 2 Alternatively, you can choose to mount the speakers on the wall. Mount a screw (not supplied) on the wall where the speaker is to be hung and hook the speaker securely onto the mounted screw.
- Note:**
– The surround speakers are labeled as REAR L (left) or REAR R (right).

Step 2: Placing the speakers and subwoofer

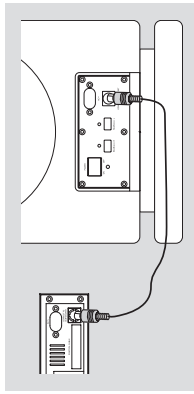


- For best possible surround sound, all the speakers (except subwoofer) should be placed at the same distance from the listening position. Place the front left and right speakers at equal distances from the TV and at an angle of approximately 45 degrees from the listening position.
- 1 Place the front left and right speakers at equal distances from the TV and at an angle of approximately 45 degrees from the listening position.
 - 2 Place the center speaker above the TV or the DVD system so that the center channel's sound is localized.
 - 3 Place the rear speakers at normal listening ear level facing each other or hang on the wall.
 - 4 Place the subwoofer on the floor near the TV.

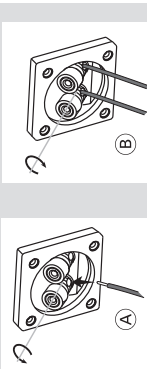
Notes:

- To avoid magnetic interference, do not position the front speakers too close to your TV.
- Allow adequate ventilation around the DVD system.

Step 3: Connecting speakers and subwoofer



- 1 Connect the terminal marked **CONNECT TO SUBWOOFER** on the rear of the amplifier to **CONNECT TO MAIN SET** on the rear of the subwoofer with the supplied DIN cable by matching the pins.
- 2 Connect the center and front speakers to the corresponding terminals on the rear of the amplifier by matching the colors.

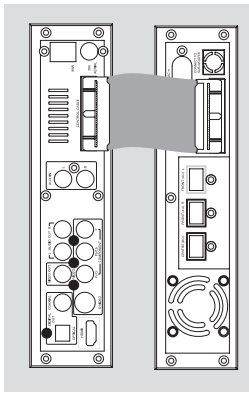


Connection to terminals on the speakers and subwoofer.

- 2 Connect the rear speakers to the corresponding terminals on the rear of the subwoofer by matching the colors.

Note:
 – Ensure that the speaker cables are correctly connected. Improper connections may damage the system due to short-circuit.

Step 4: Connecting the control cable

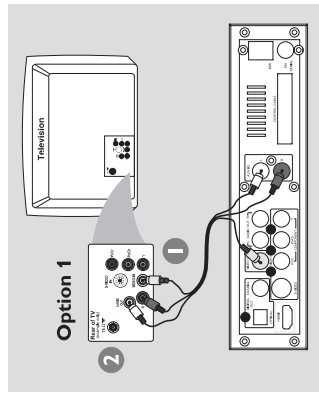


Connect the serial port marked "**CONTROL CABLE**" at the rear of the DVD player to the same port at the rear of the power amplifier with the supplied flat control cable.

Step 5: Connecting TV

IMPORTANT!
 – You only need to make one video connection from the following options, depending on the capabilities of your TV.
 – Connect the DVD system directly to the TV.

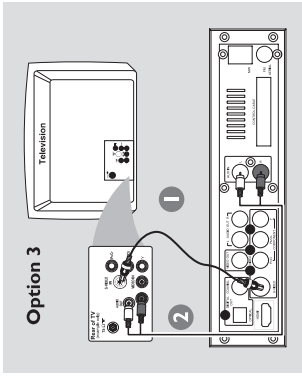
Using Composite Video Jack



- 1 Use the composite video connectors (yellow) of the supplied audio and composite video cables (2-in-1) to connect the DVD system's **VIDEO OUT** jack to the video input jack (or labeled as A/V In, CVBS, Composite or Baseband) on the TV.

Using S-Video jack

IMPORTANT!
 – If S-Video is used for DVD playback connection, the system's **VIDEO OUT** setting will need to be changed accordingly.

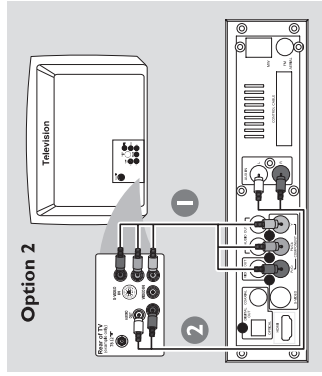


- 1 Use an S-Video cable (not supplied) to connect the DVD system's S-VIDEO jack to the S-Video input jack (or labeled as Y/C or S-VHS) on the TV.
- 2 To hear the TV channels through this DVD system, use the audio cables (white/red) to connect **AUX IN** jacks to the corresponding **AUDIO OUT** jacks on the TV.

- 2 To hear the TV channels through this DVD system, use the audio connectors (white/red) of the supplied audio and composite video cables (2-in-1) to connect **AUX IN** jacks to the corresponding **AUDIO OUT** jacks on the TV.

Using Component Video jacks (Y Pb Pr)

IMPORTANT!
 – The progressive scan video quality is only possible when using **Y Pb Pr**, and a progressive scan TV is required.



- 1 Use component video cables (red/blue/green - not supplied) to connect the DVD system's Y Pb Pr jacks to the corresponding Component video input jacks (or labeled as Y Pb/Cb Pr/Cr or YUV) on the TV.

- 2 To hear the TV channels through this DVD system, use the audio cables (white/red) to connect **AUX IN** jacks to the corresponding **AUDIO OUT** jacks on the TV.

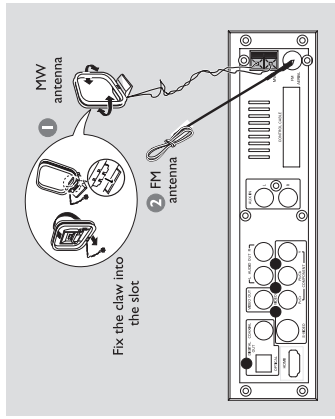
- 3 If you are using a Progressive Scan TV (TV must indicate Progressive Scan or ProScan capability), to activate TV Progressive Scan, please refer to your TV user manual. For DVD system Progressive Scan function, see "Getting Started-Setting up Progressive Scan feature".

Note:
 – If your TV does not support Progressive Scan, you will not be able to view the picture.
 Press **SYSTEM** on the remote to exit the system menu and then **DISC** and "1" to exit progressive scan.

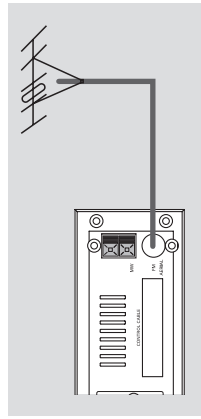
CONNECTION AND CONTROLS

Connections

Step 6: Connecting FM/MW antennas



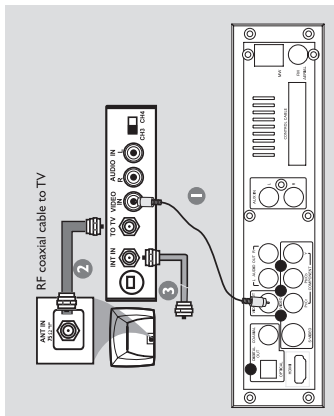
- 1 Connect the supplied MW loop antenna to the MW jack. Place the MW loop antenna on a shelf or attach to a stand or wall.
 - 2 Connect the supplied FM antenna to the FM (75 ?) jack. Extend the FM antenna and fix its end to the wall.
- For better FM stereo reception, connect an external FM antenna (not supplied).



- Note:**
- Adjust the position of the antennas for optimal reception.
 - Position the antennas as far as possible from your TV, VCR or other radiation source to prevent unwanted interference.

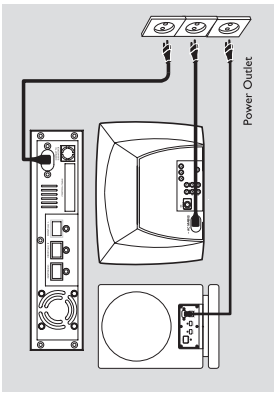
Using an accessory RF modulator

- IMPORTANT!**
- If your TV only has a single Antenna In jack (labeled as 75 ohm or RF In), you will need an RF modulator in order to view DVD playback on the TV. See your electronics retailer or contact Philips for details on RF modulator availability and operations.



- 1 Use the composite video cable (yellow) to connect the DVD system's VIDEO OUT jack to the video input jack on the RF modulator.
- 2 Use an RF coaxial cable (not supplied) to connect ANTENNA OUT or TO TV jack on the TV, RF modulator to the Antenna IN jack on the TV.
- 3 Connect the Antenna or Cable TV service signal to the ANTENNA IN or RF IN jack on the RF modulator. (It may have been connected to your TV previously. Disconnect it from the TV.)

Step 7: Connecting the power cord



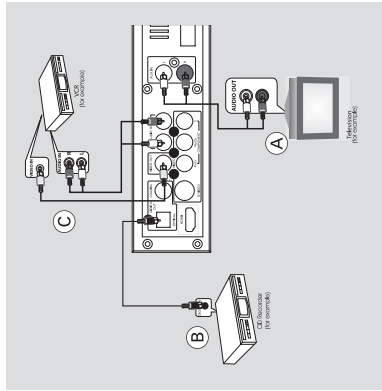
After everything is connected properly, plug in the AC power cords of the main set, subwoofer and TV set to the power outlet. Make sure to turn on the power switch on the rear of the subwoofer in order to enjoy 5.1-channel output.

Never make or change any connection with the power switched on.

Additional: Connecting additional equipment

IMPORTANT!

- Some discs are copy-protected. You cannot record the disc through a VCR or digital recording device.
- When making connections, make sure the colour of cables matches the colour of jacks.
- Always refer to the owner's manual of the other equipment for complete connection and usage details.



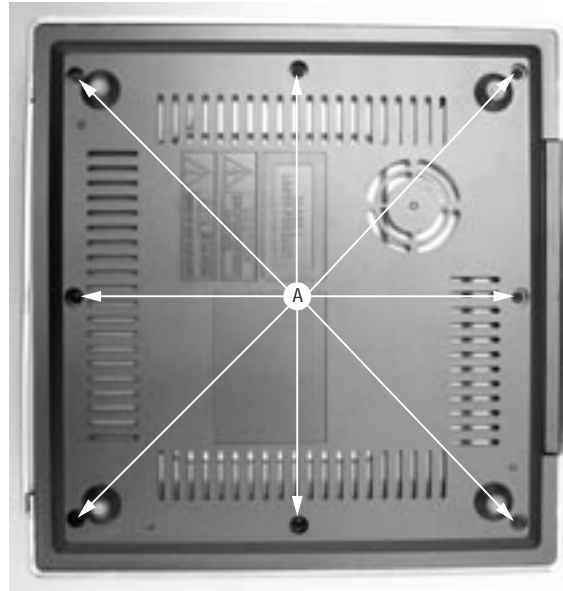
Viewing and listening to the playback of other equipment

- Connect the system's **AUX IN (R/L)** jacks to the AUDIO OUT jacks on the other audio/visual device (such as a TV, VCR, Laser Disc player or cassette deck).
Before starting operation, press **SOURCE** on the front panel to select AUX or press **AUX** on the remote in order to activate the input source.
- **Recording (digital)** (B)
Connect the system's **COAXIAL** or **OPTICAL** jack to the DIGITAL IN jack on a digital recording device (such as DTS-Digital Theatre compatible, with Dolby Digital decoder).
Before starting operation, set the DIGITAL OUT according to the audio connection. (See "DIGITAL OUT")
- **Using the VCR for recording DVDs** (C)
Connect one of the system's **VIDEO** jacks to the corresponding VIDEO IN jack and **LINE OUT (R/L)** jacks to the AUDIO IN jacks on the VCR. This will allow you to make analogue stereo (two channel, right and left) recordings.

DISASSEMBLY DIAGRAM - DVD PART

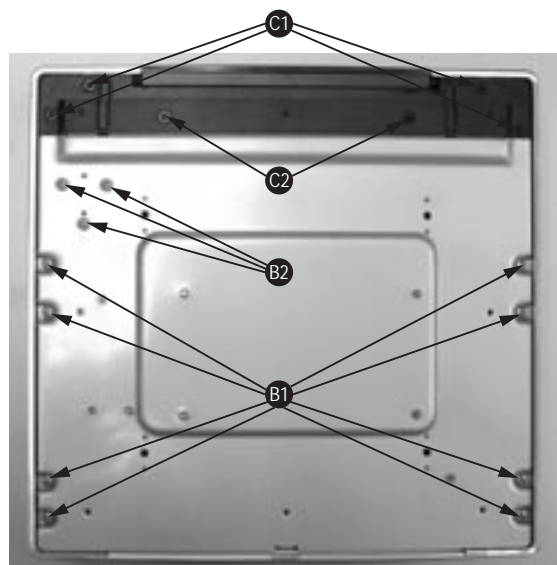
A.Remove Bottom Cover

A1.remove screws M2.5x4(8pcs)



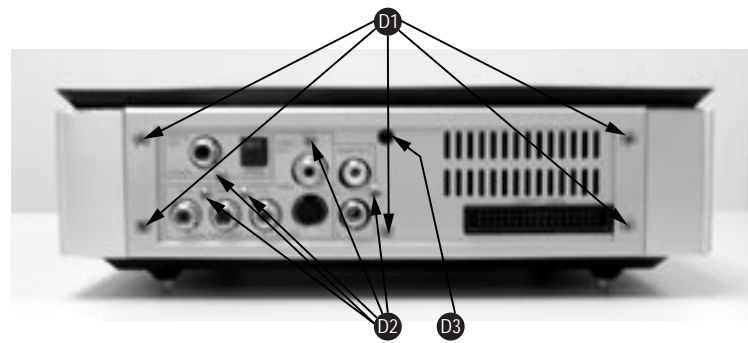
B*.remove screws M3x10(8pcs) and M3x8(3pcs)

C*.remove screws M3x8(4pcs) and T3x4(2pcs)

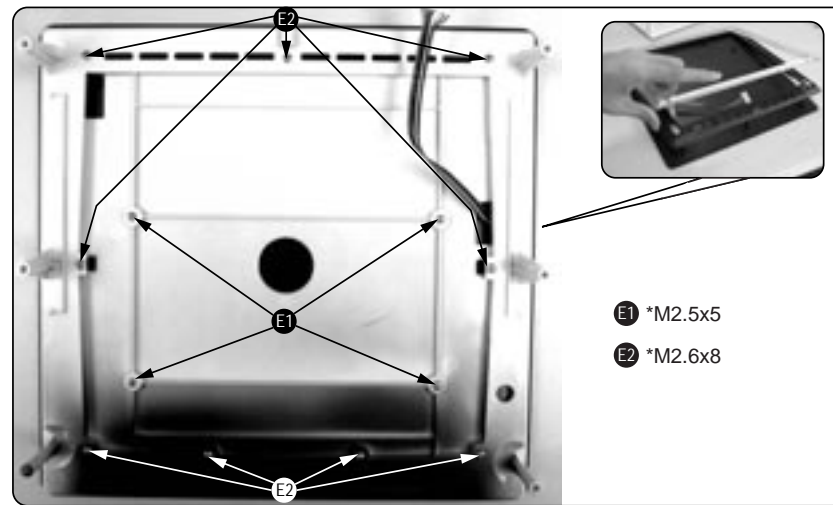


D.Remove Back Panel

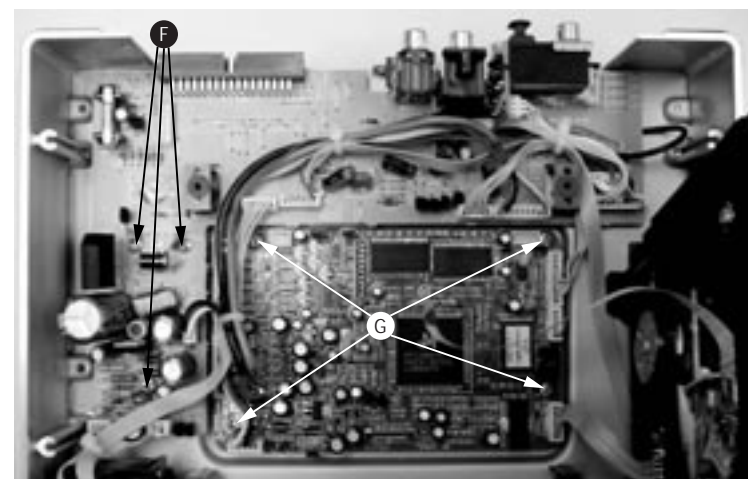
D*remove screws T3x4(5pcs)and M3x10(5pcs)and T3x8(1pc)



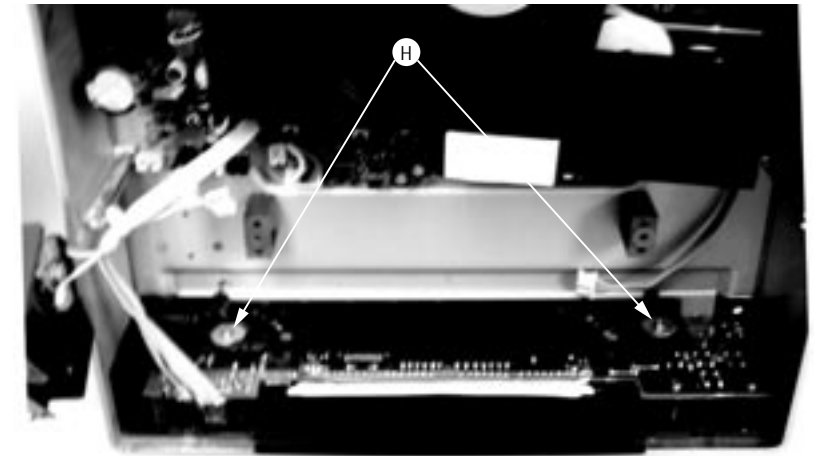
E. Remove Top Cover



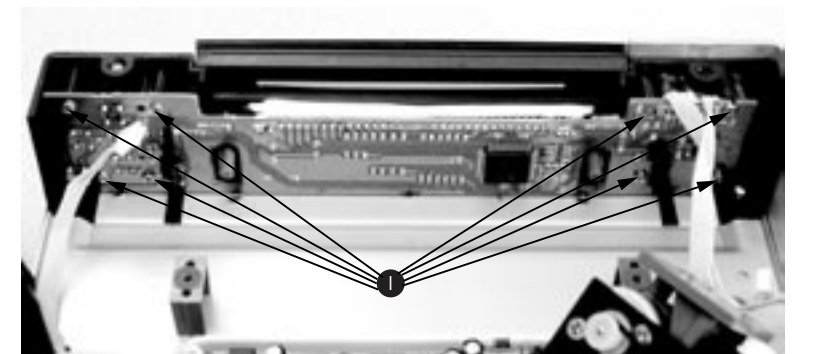
G. Remove DVD Rom and then remove DVD Decoder Card Assy



H.Remove Slid Plank



I.Remove VFD board assy



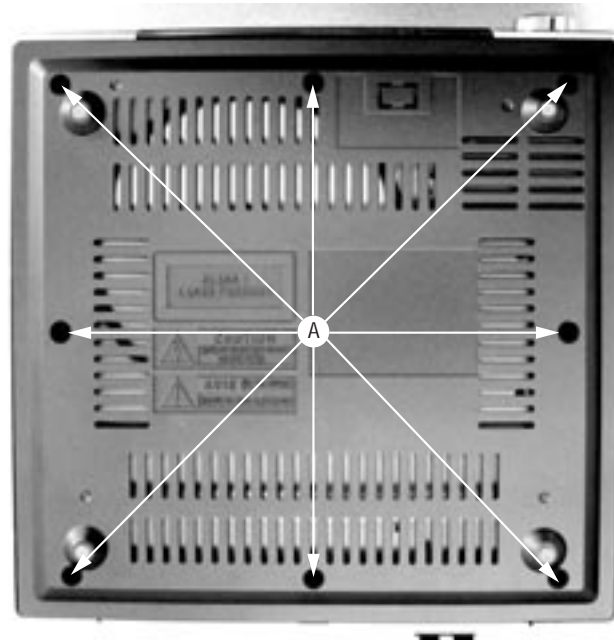
I.Remove Side metal Plate



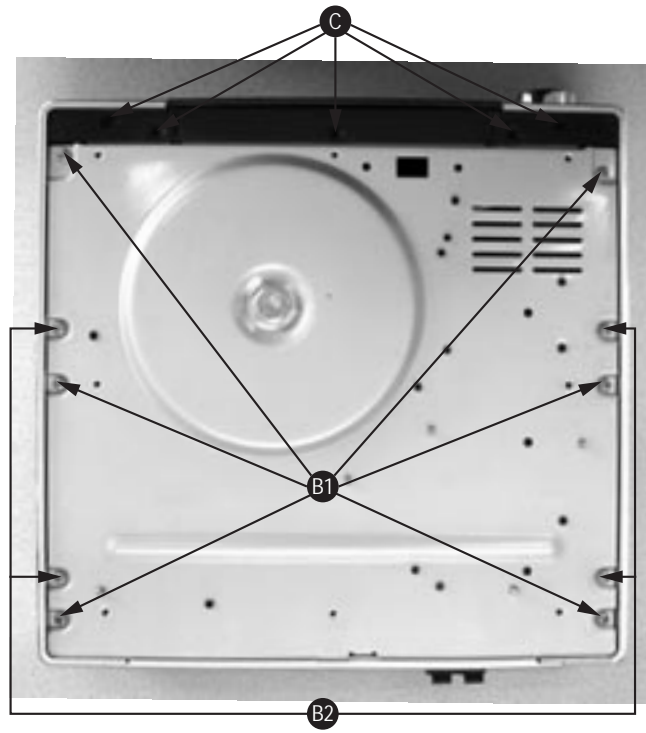
DISASSEMBLY DIAGRAM - AMP PART

A.Remove Bottom Cover

A1.remove screws M2.5x4(8pcs)

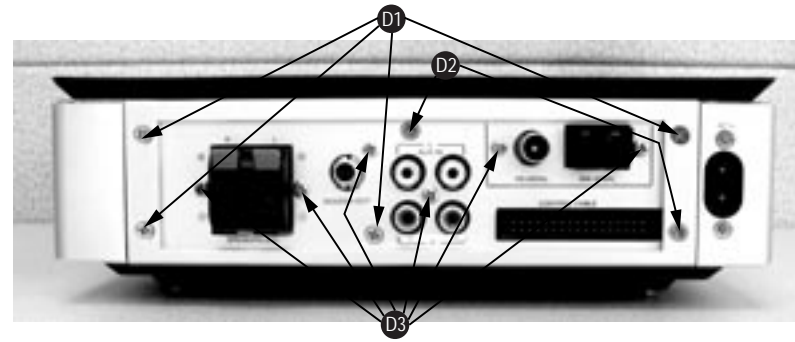


B*.remove screws M3x10(6pcs) and T3x10(4pcs)
C*.remove screws T3x4(5pcs)

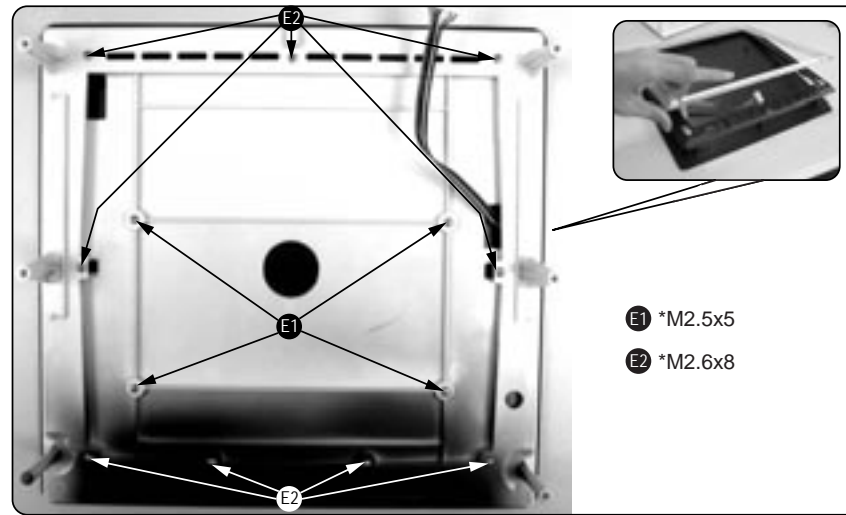


D.Remove Back Panel

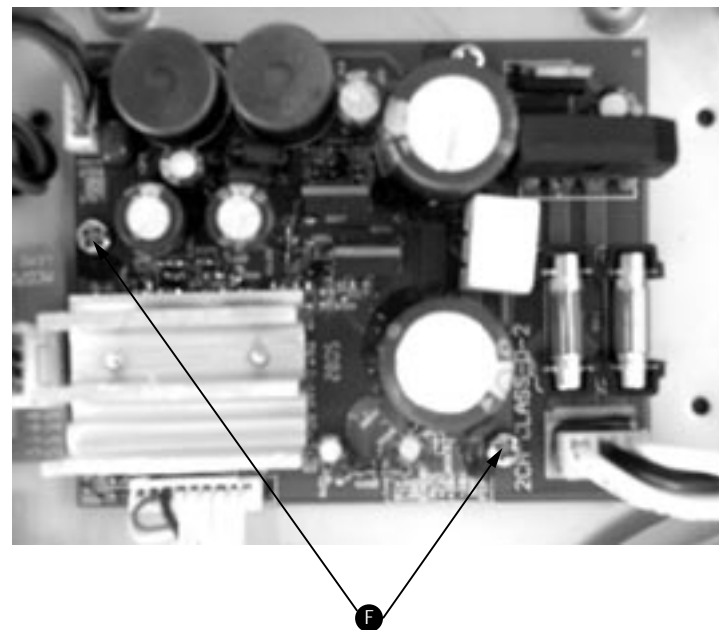
D*remove screws T3x4(4pcs)and T3x8(2pcs)and M3x10(6pcs)



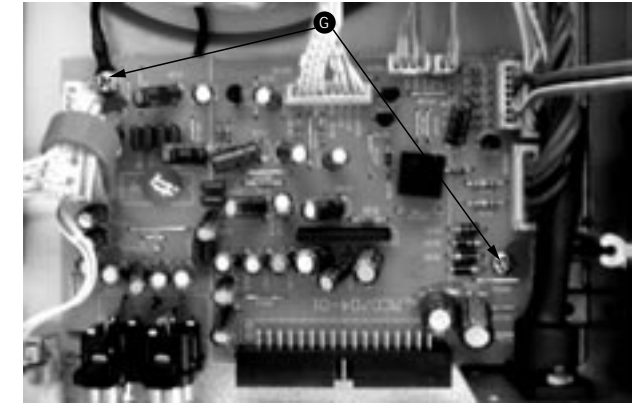
E. Remove Top Cover



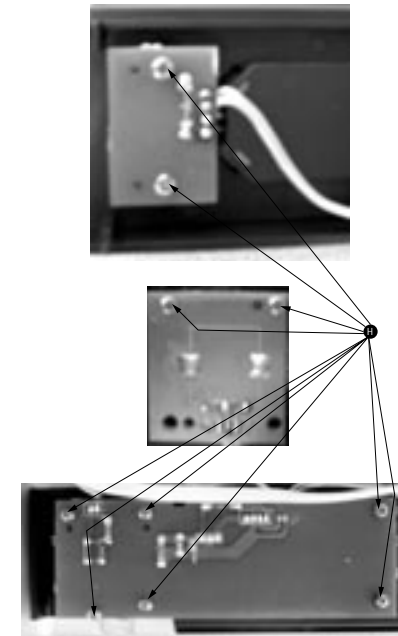
F. Remove AMP Board Assy



G.Remove ALC Volume board assy



H.Remove AMP Front board assy



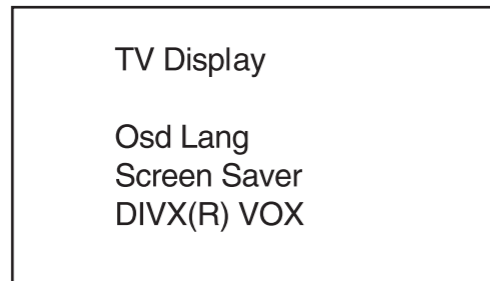
I.Remove Side metal Plate



SOFTWARE VERSION CHECK AND UPGRADING**A.MPEG SOFTWARE VERSION CHECK**

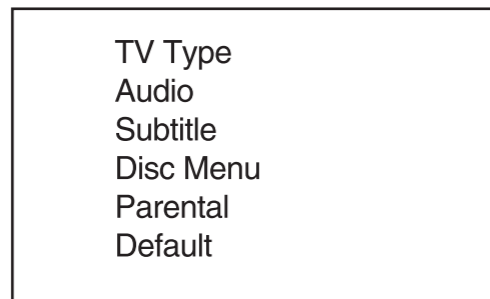
1.Press SYSTEM key (on the remote control) to open setup page,

TV Screen shows:



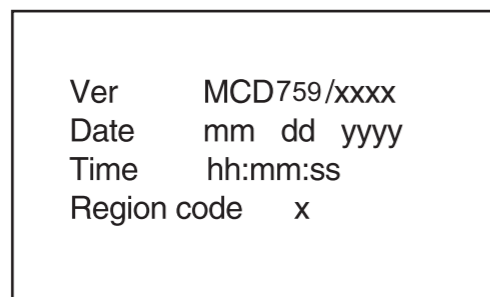
2.Press REMOVAL key (on the remote control) to the original setup page,

TV Screen shows:



3.Enter the password "811502" (on the remote control)

TV Screen shows:

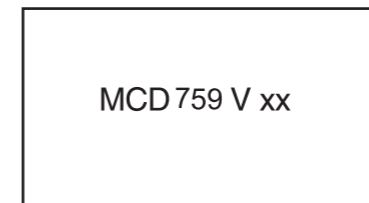


4.Press ▲ or ▼ button (on the remote control) to change region.
Press OK to confirm.

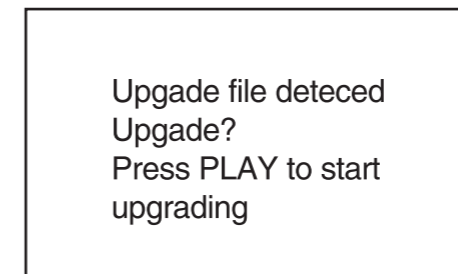
B.CPU VERSION CHECK

Keep PLAY/PAUSE and STOP buttons (on the set) depressed while pressing POWER on.

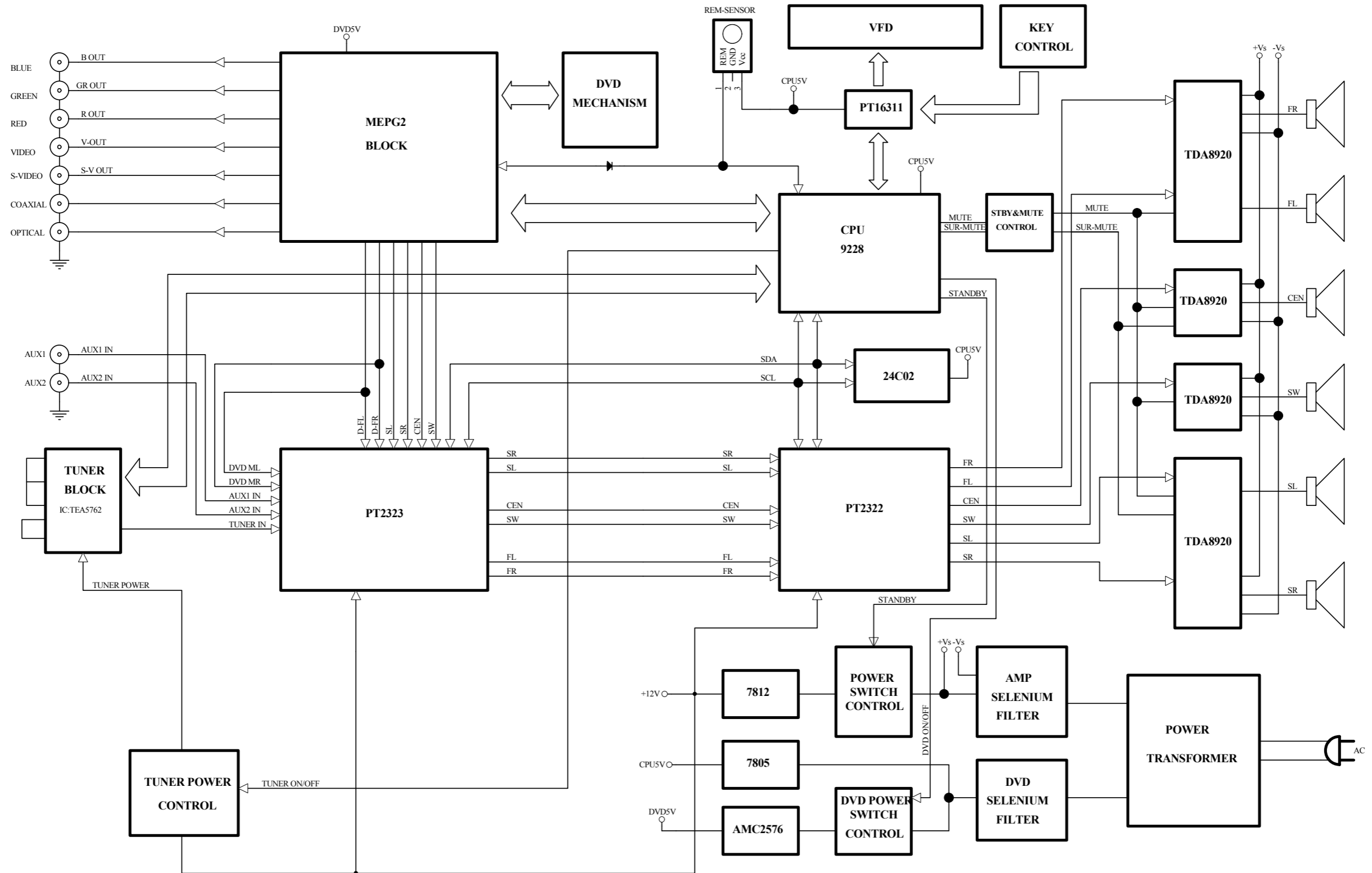
TV screen shows

**C. MPEG SOFTWARE UPGRADING**

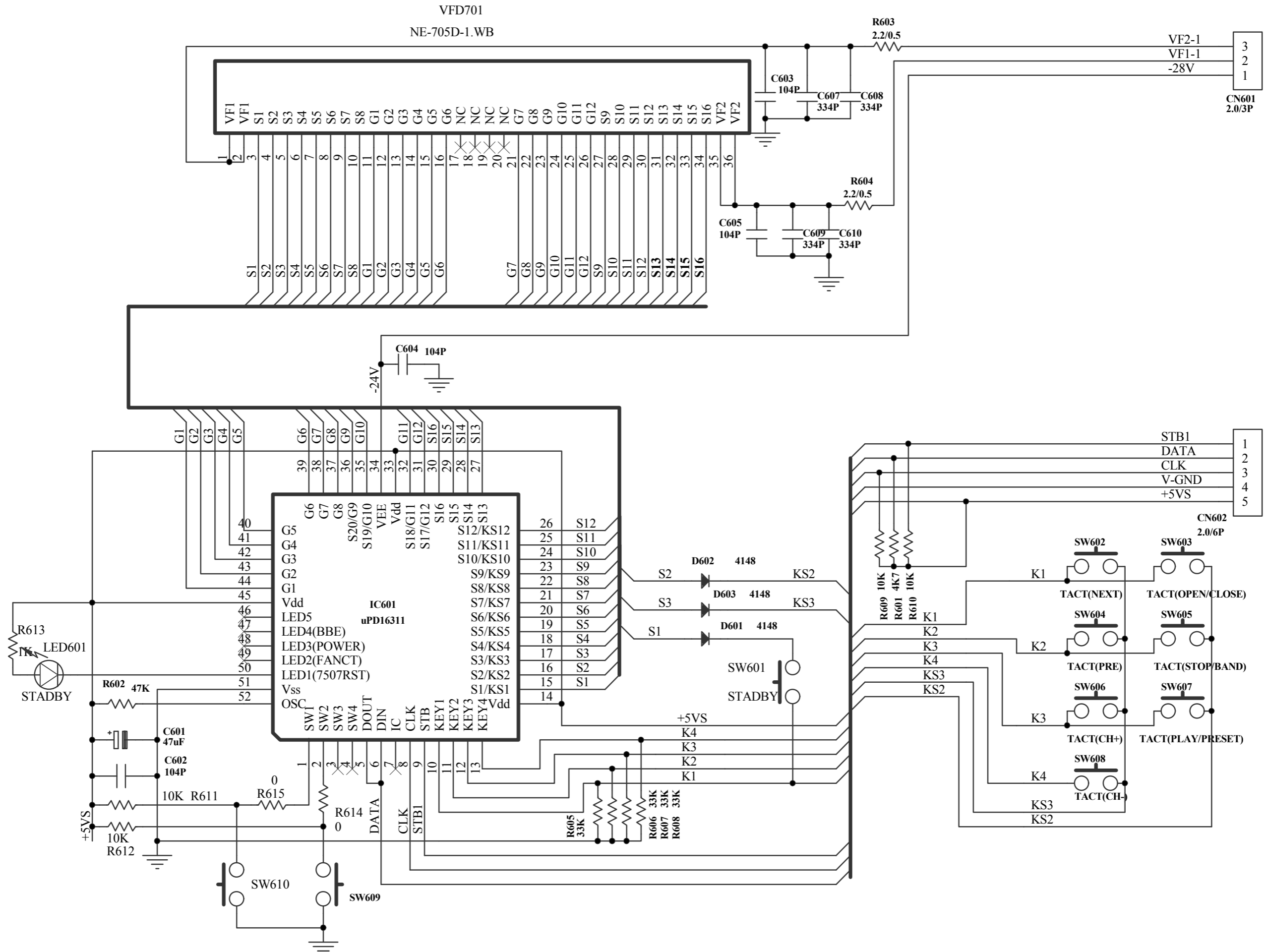
1. download the firmware from Philips support website
<http://www.philips.com/support>
2. Prepare a uploading CD
3. Put the CD in the CD tray
4. TV Screen shows



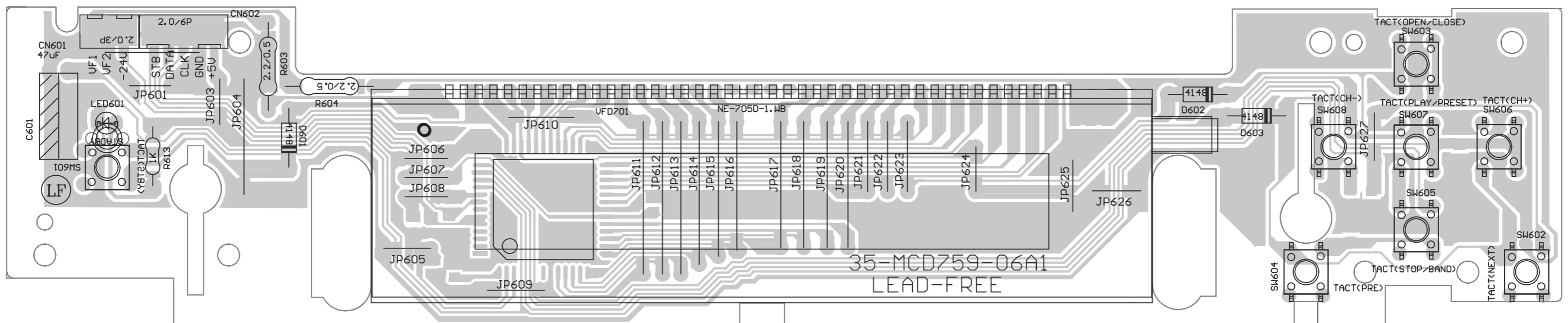
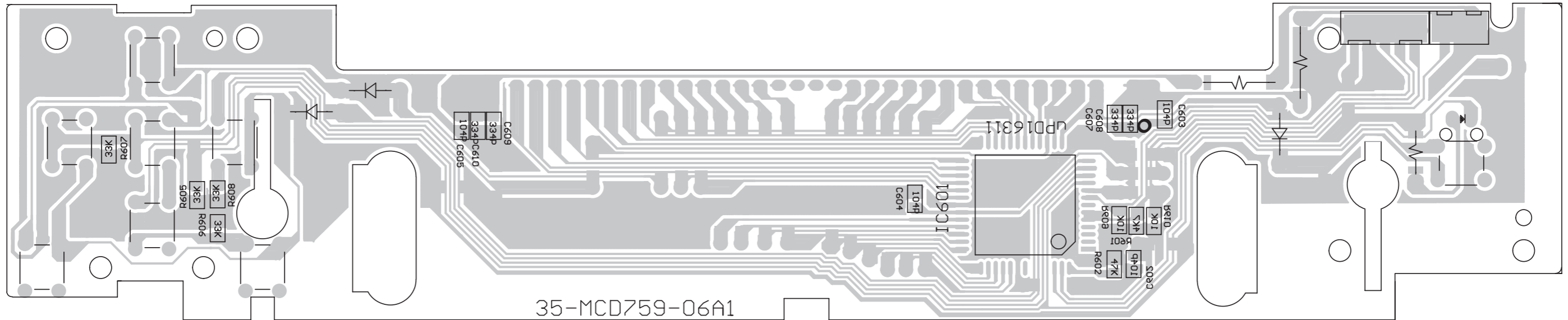
SET BLOCK DIAGRAM



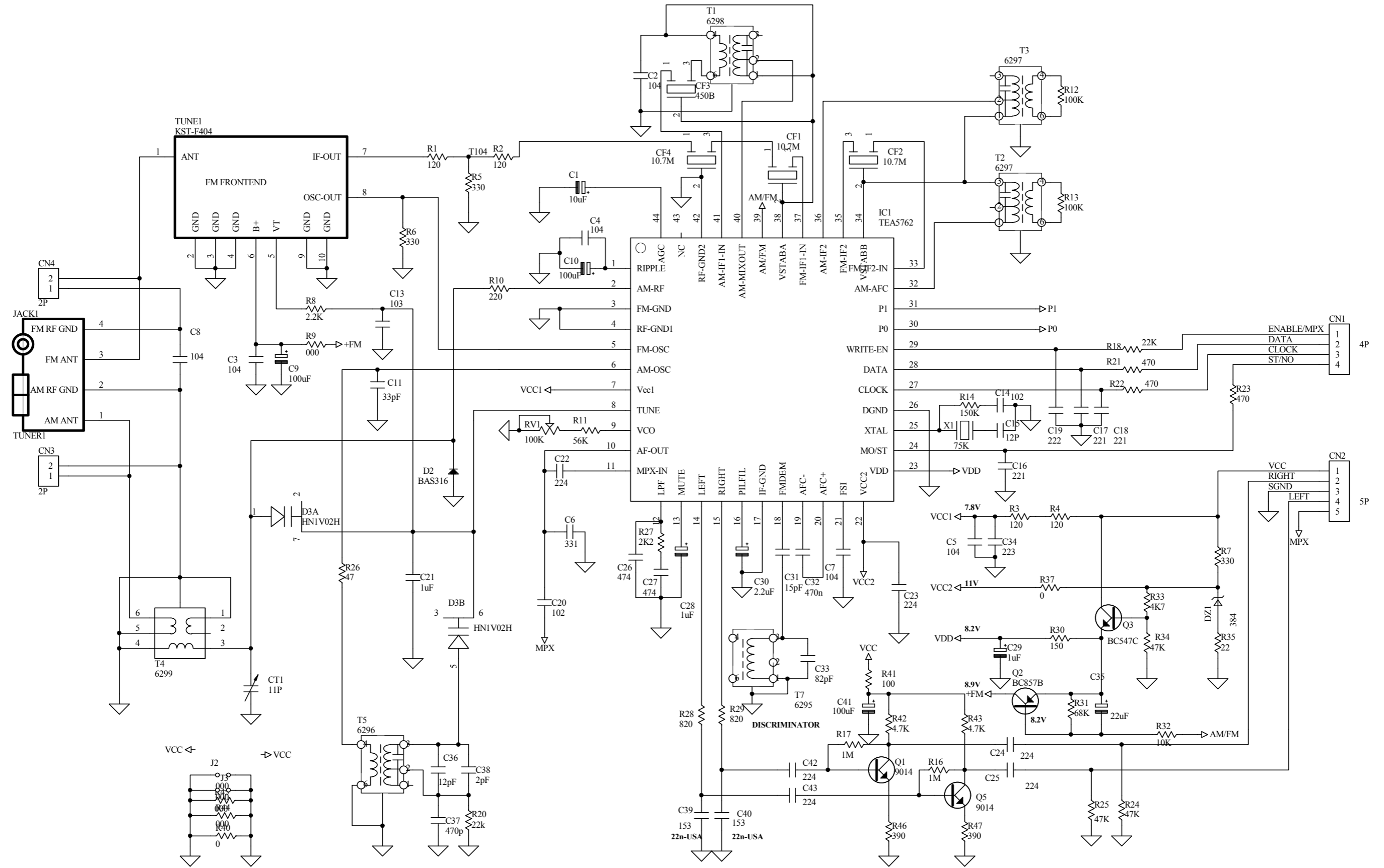
CIRCUIT DIAGRAM - VFD BOARD



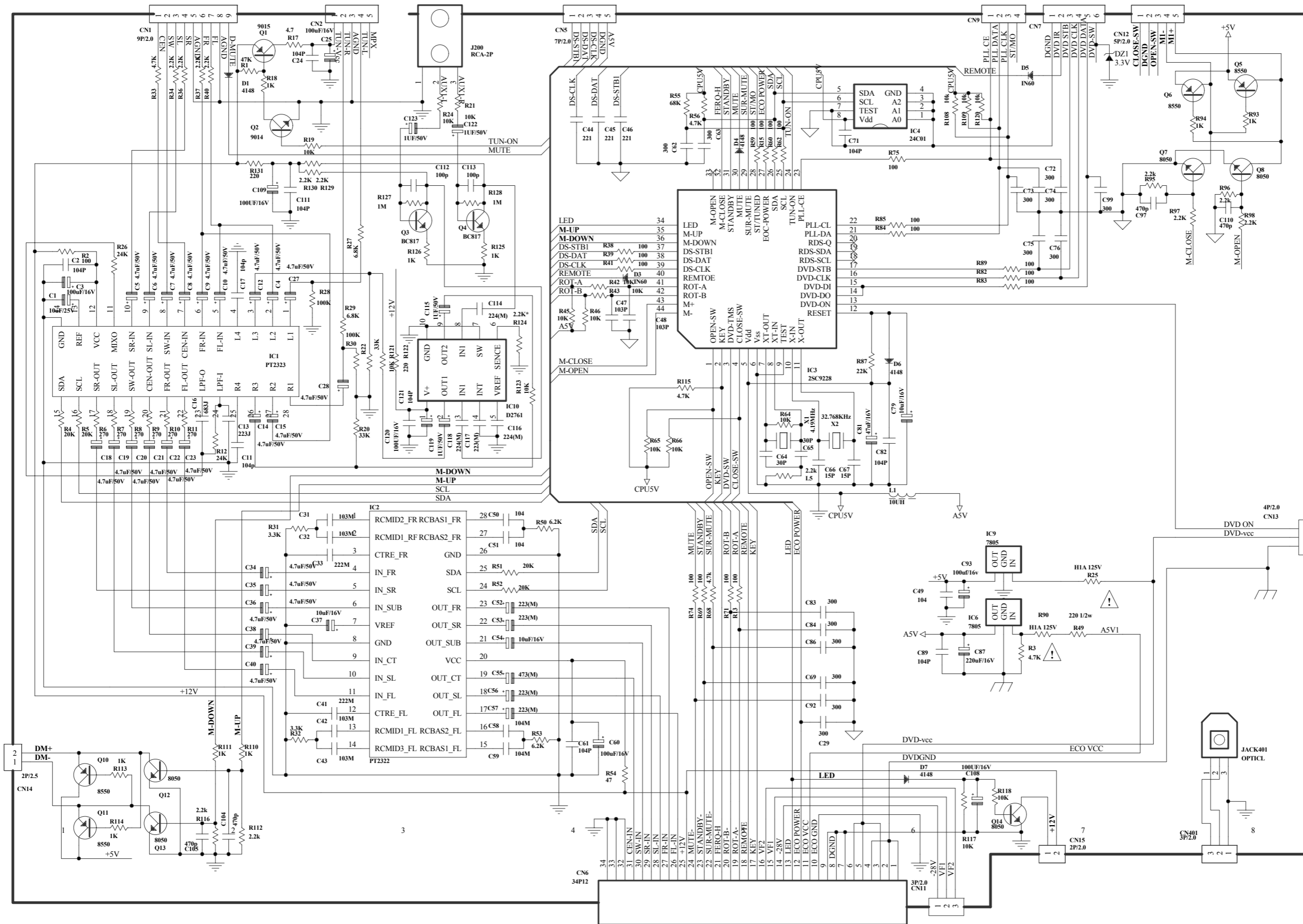
LAYOUT DIAGRAM - VFD BOARD



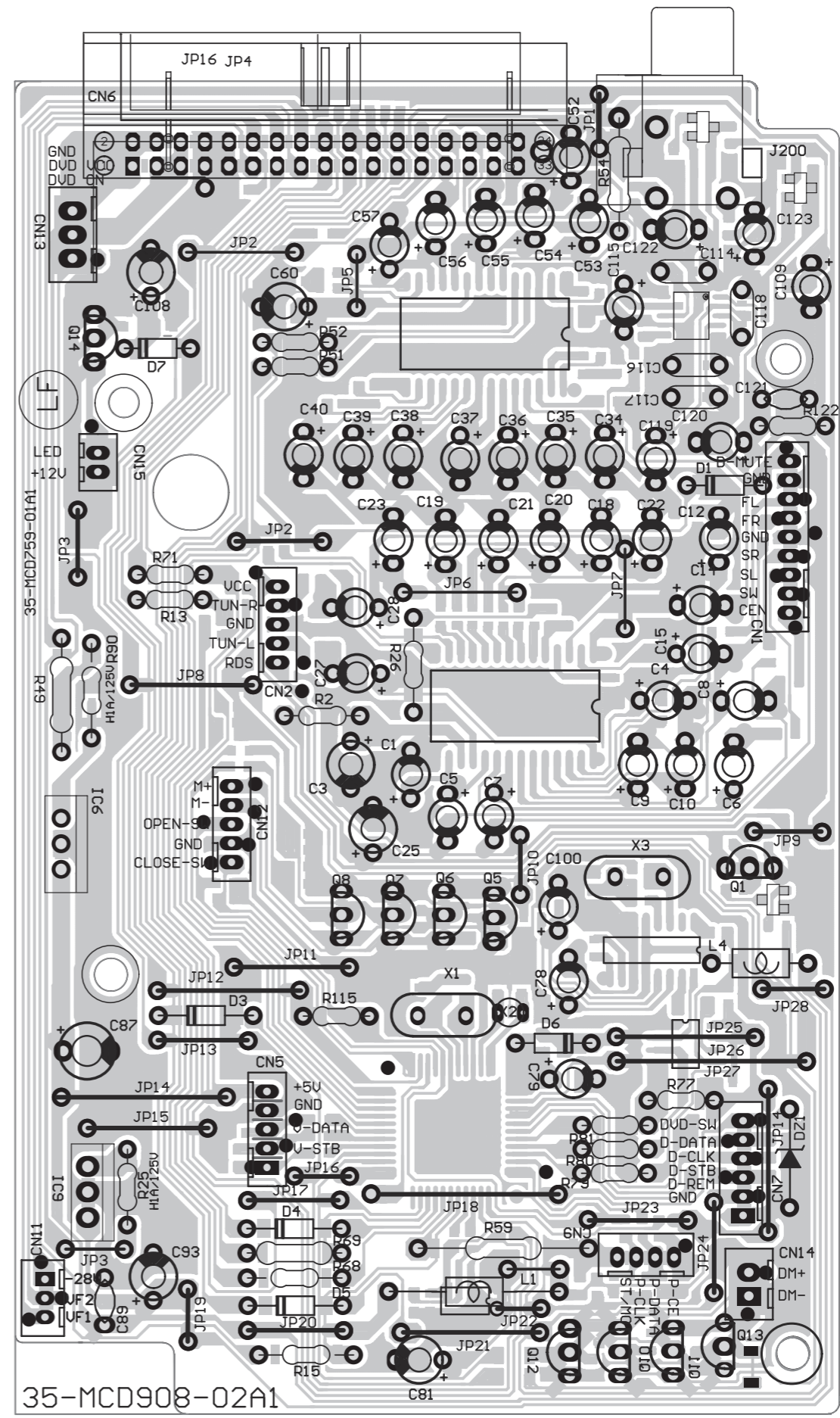
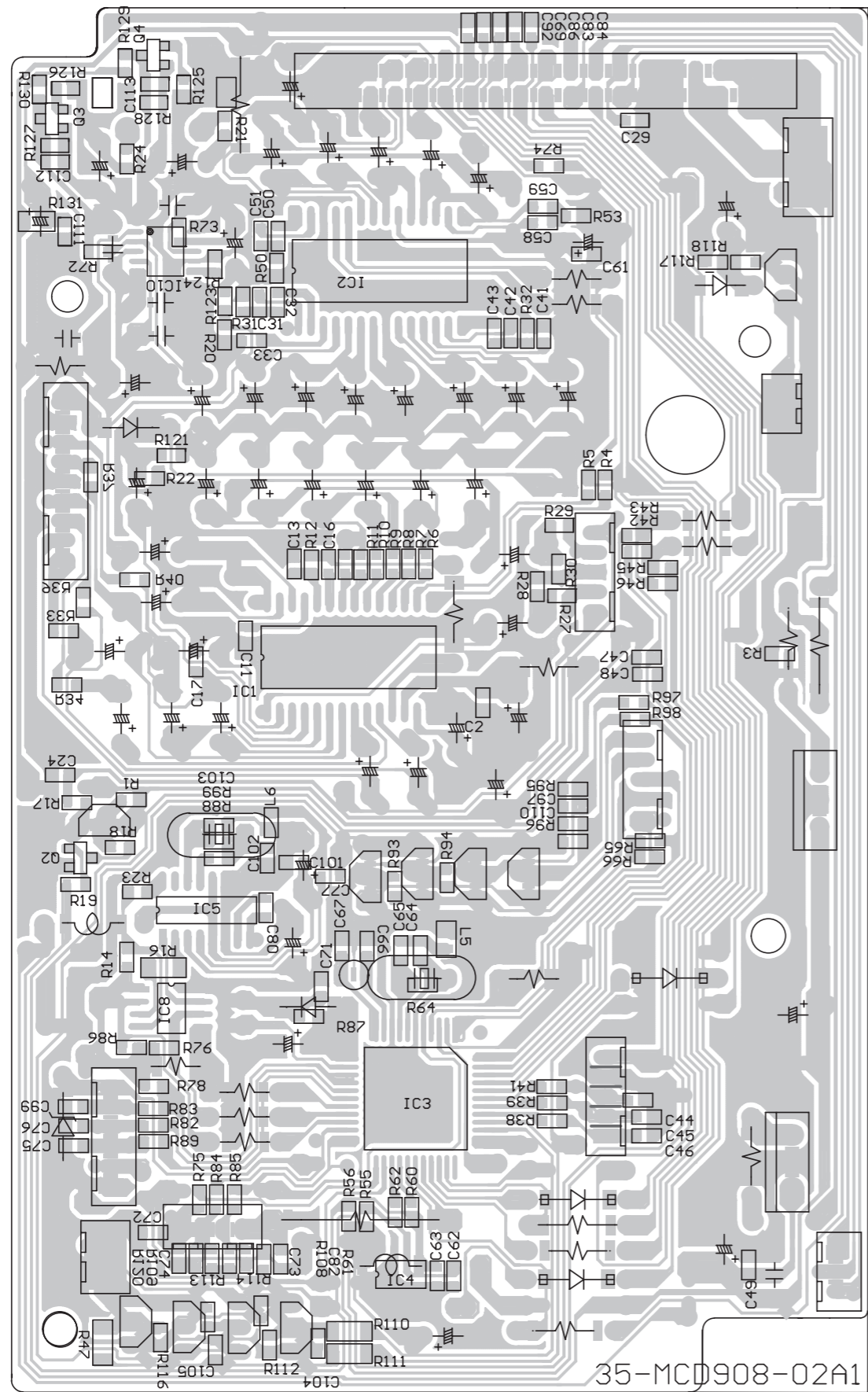
CIRCUIT DIAGARM - TUENR BOARD



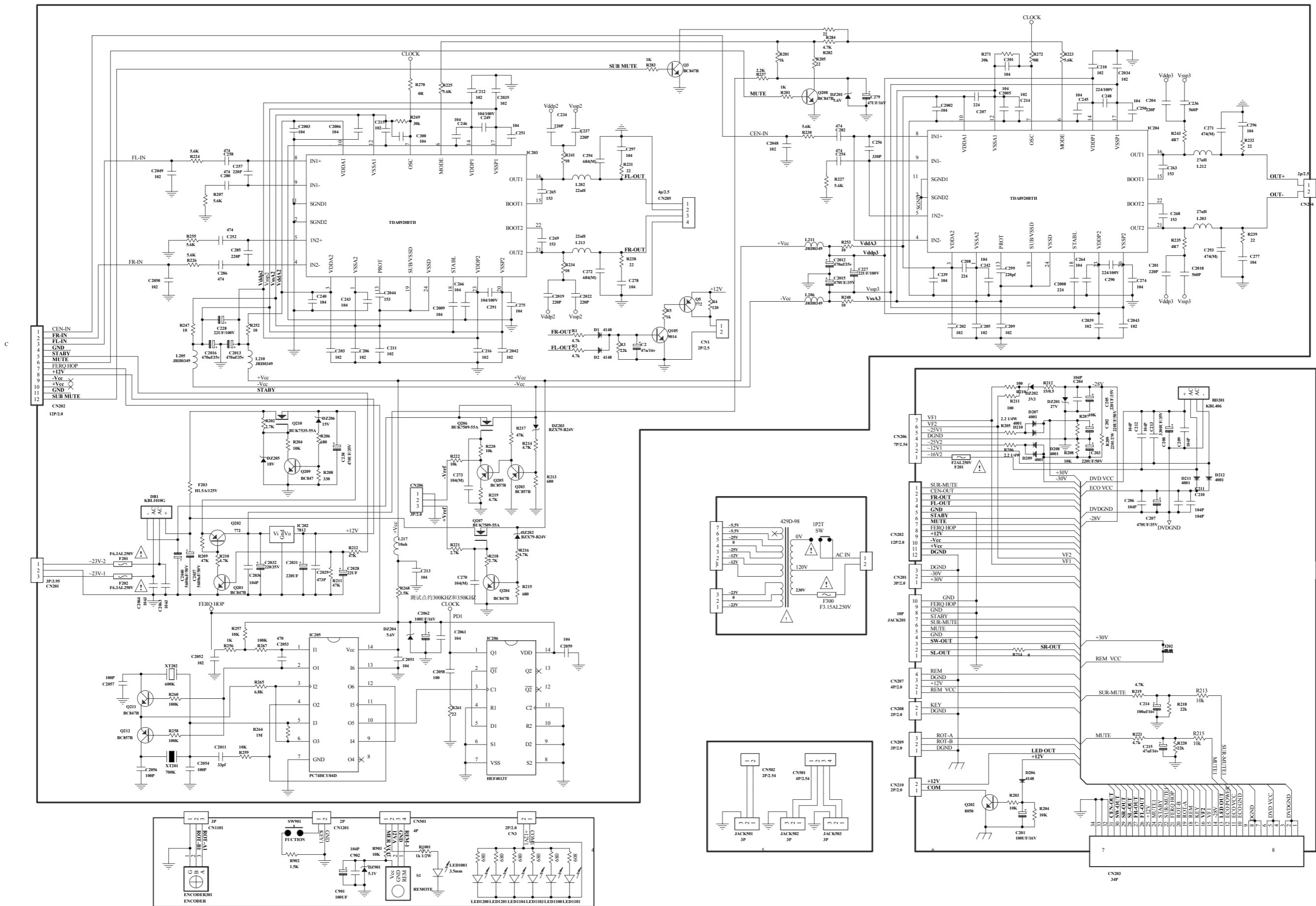
CIRCUIT DIAGRAM - CPU BOARD



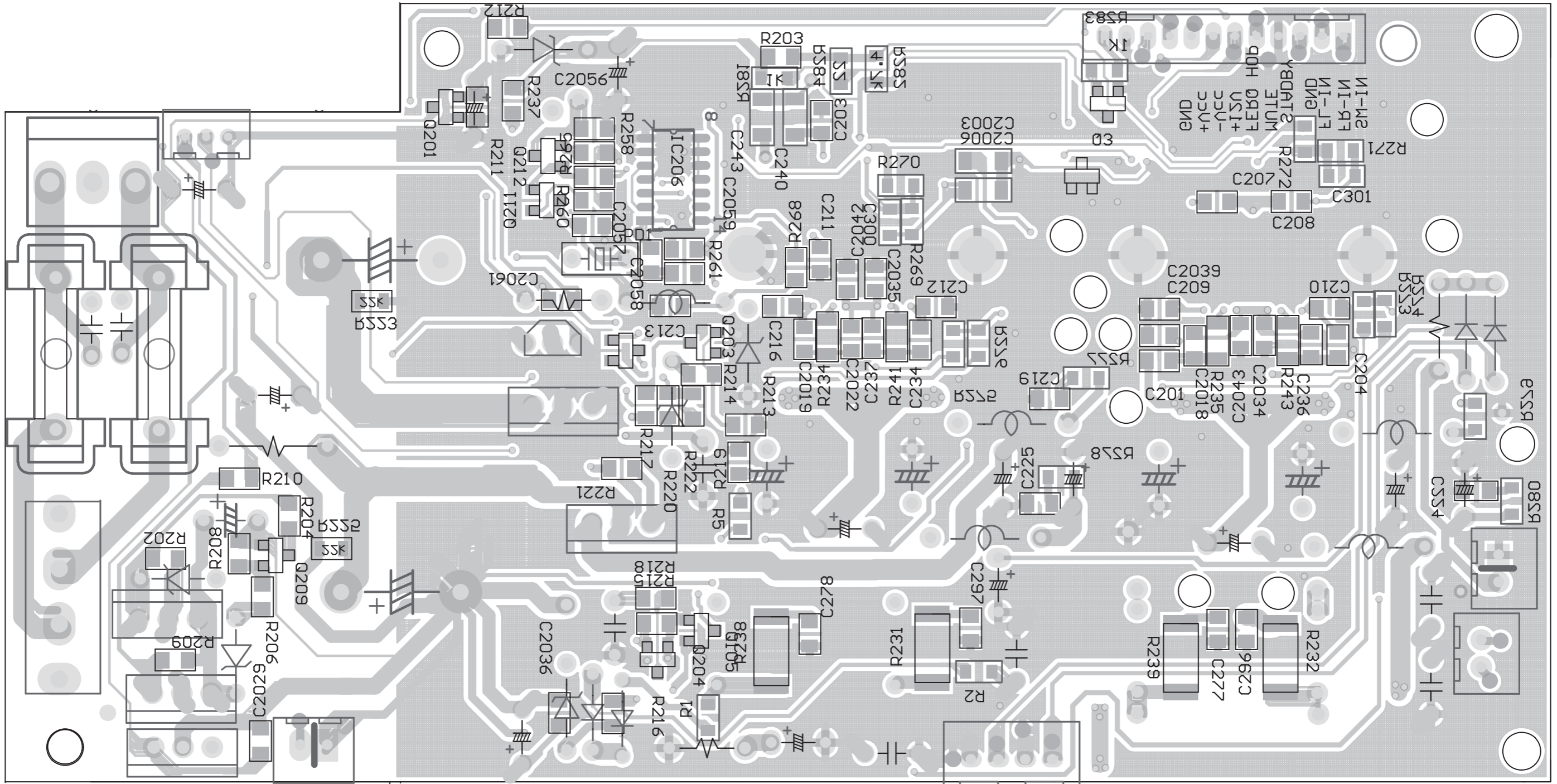
LAYOUT DIAGRAM - CPU BOARD



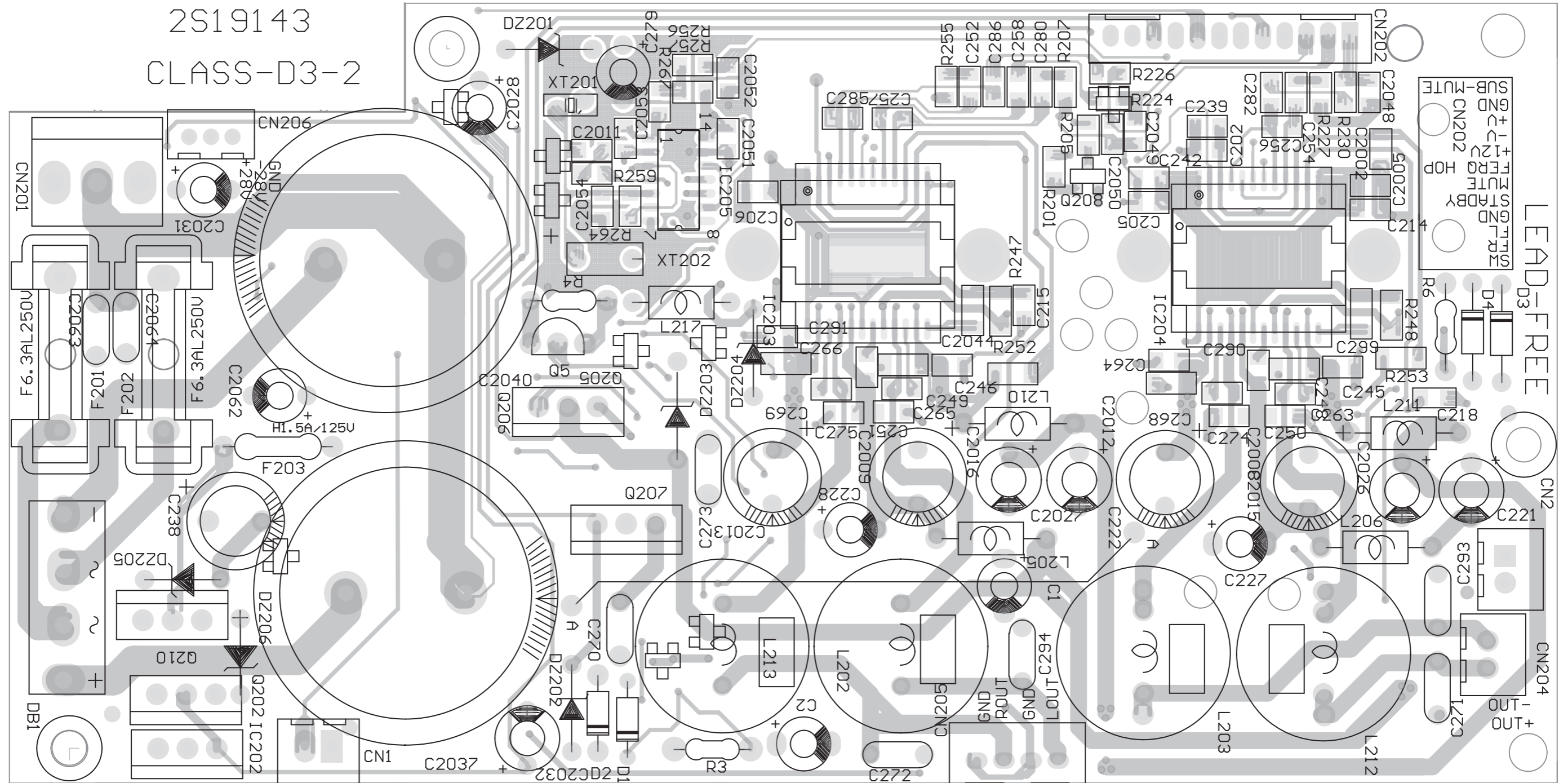
CIRCUIT DIAGRAM - AMP BOARD & POWER BOARD



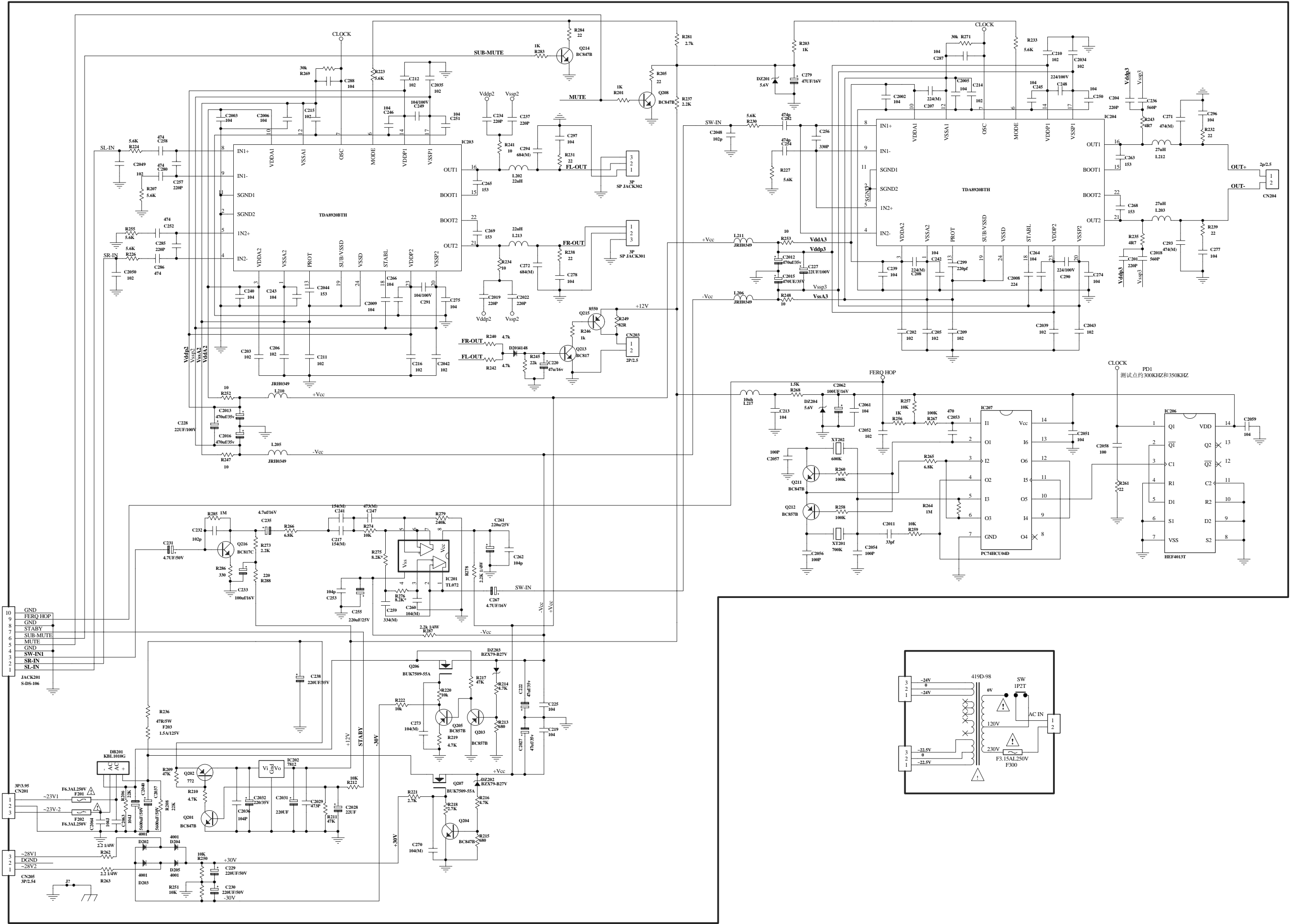
LAYOUT DIAGRAM - AMP BOARD



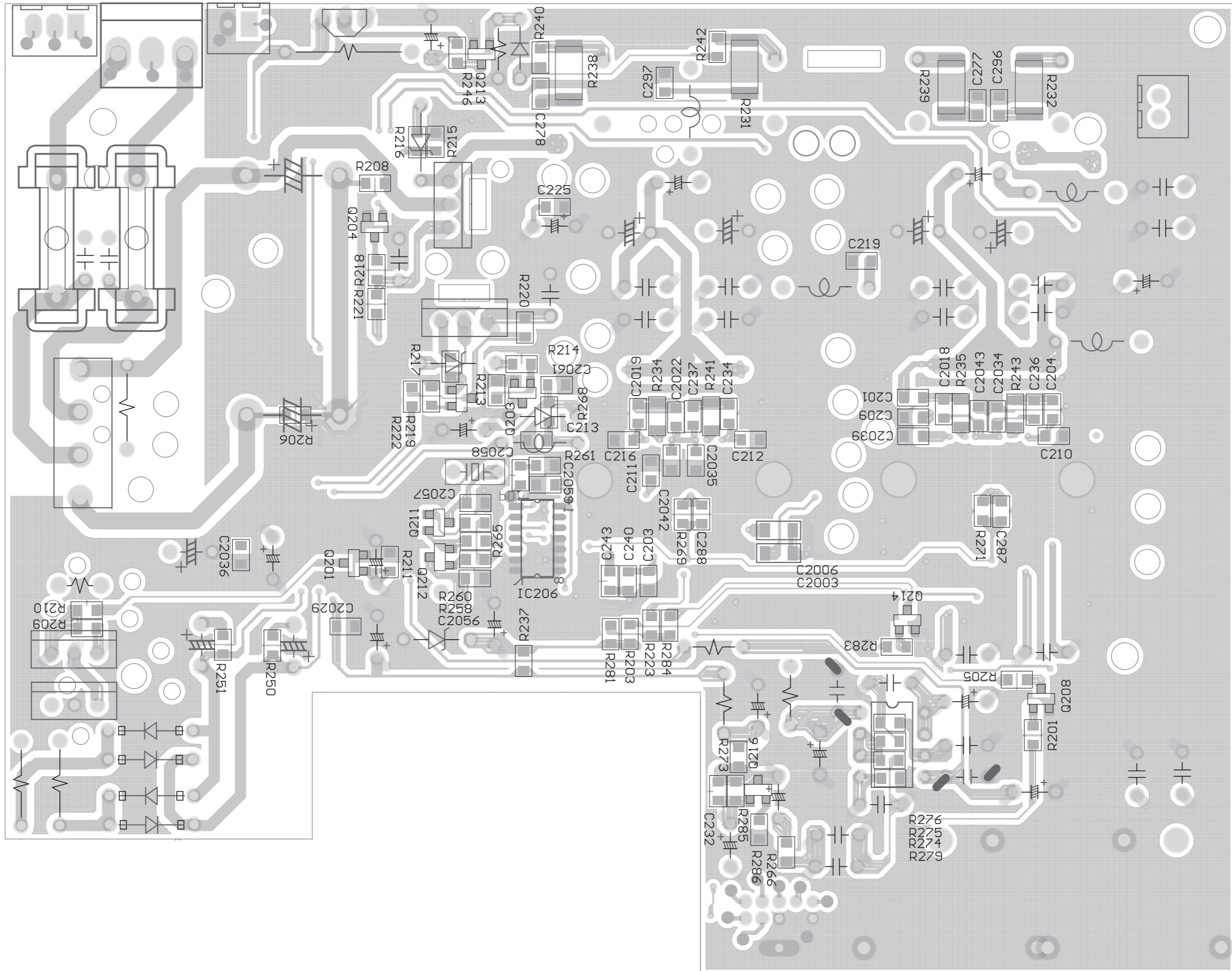
LAYOUT DIAGRAM - AMP BOARD



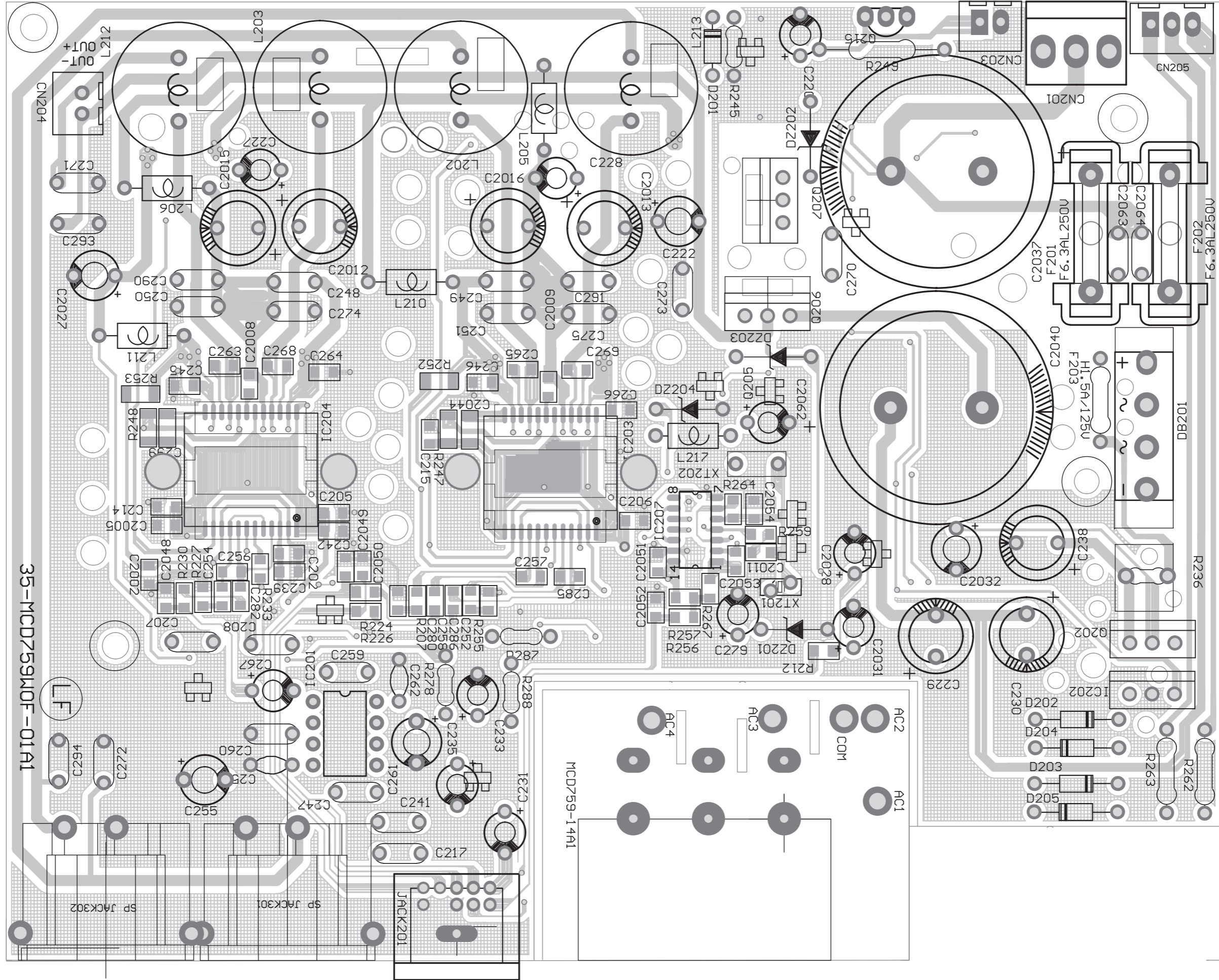
CIRCUIT DIAGRAM - WOOFER AMP BOARD



LAYOUT DIAGRAM - WOOFER AMP BOARD

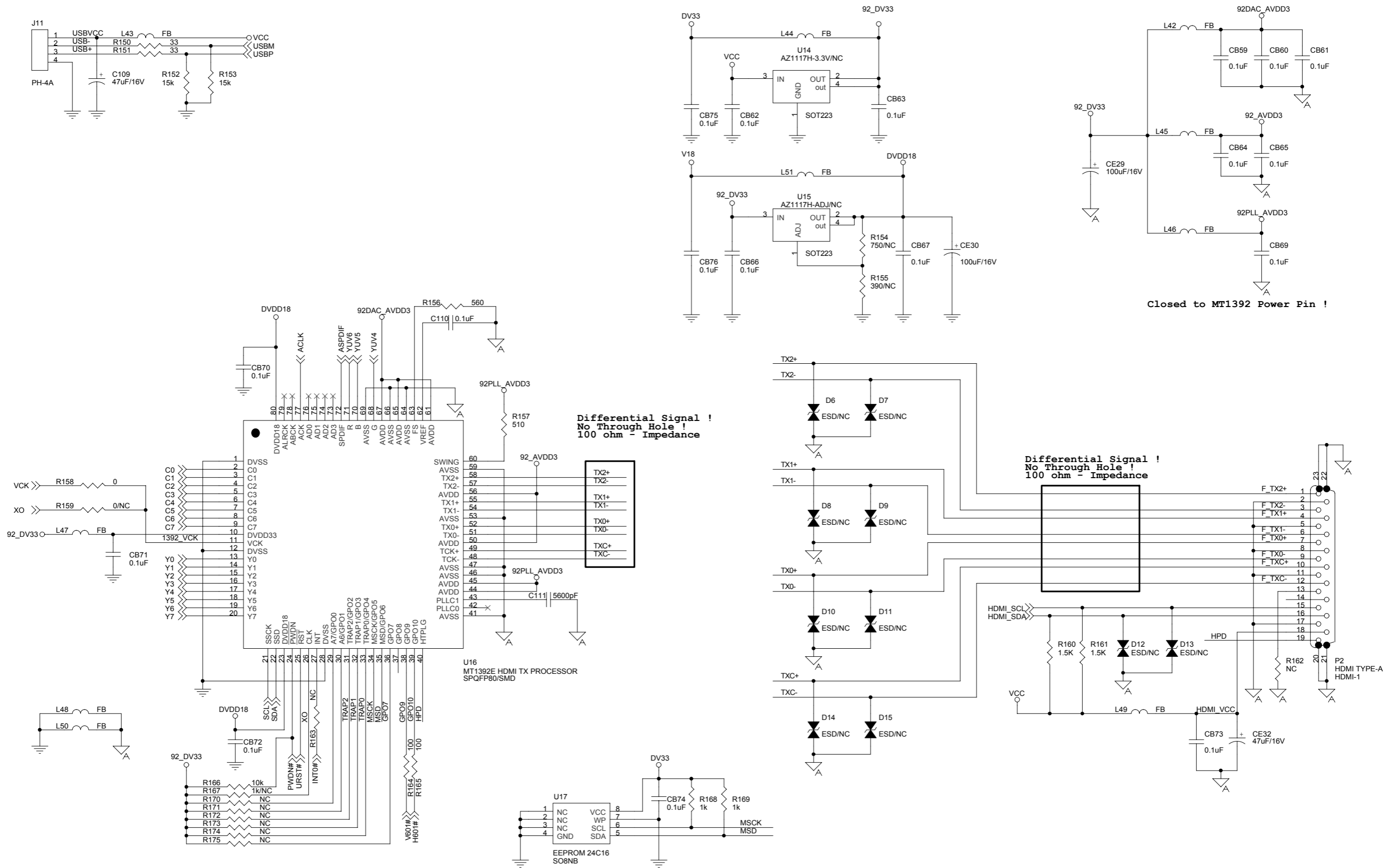


LAYOUT DIAGRAM - WOOFER AMP BOARD



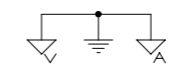
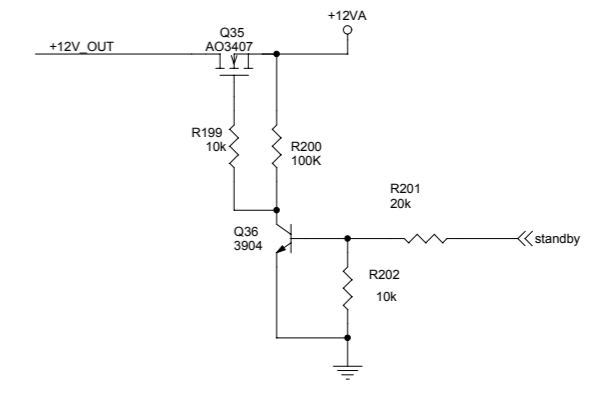
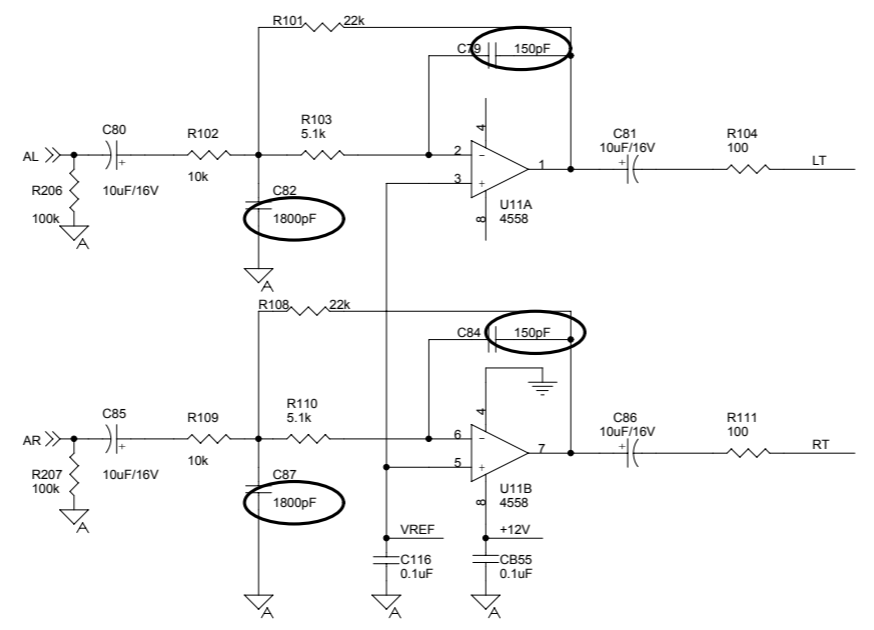
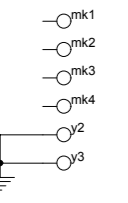
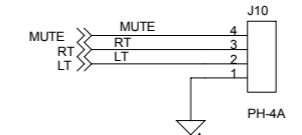
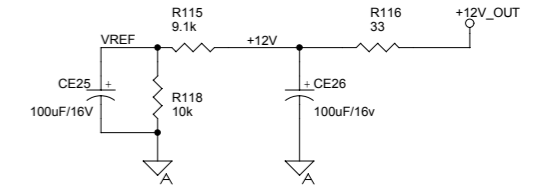
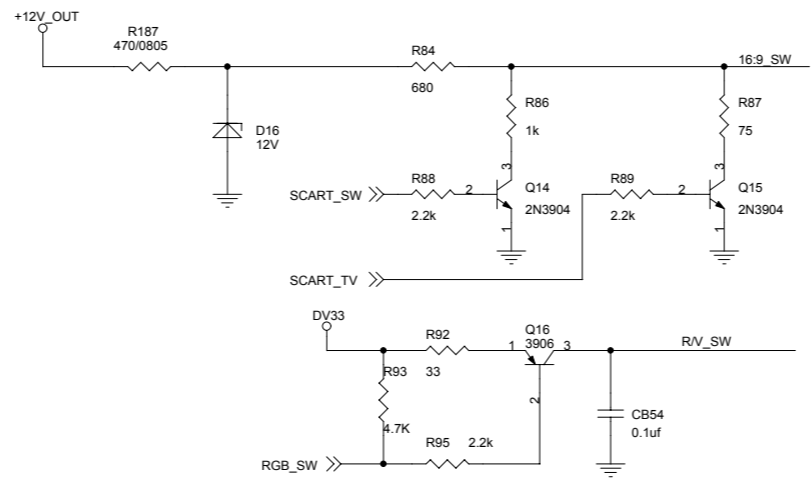
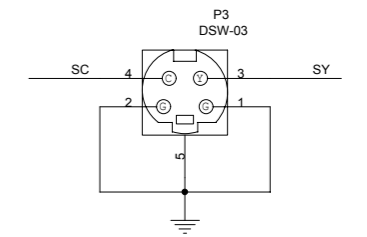
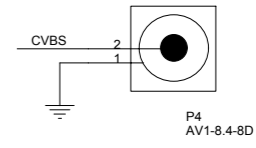
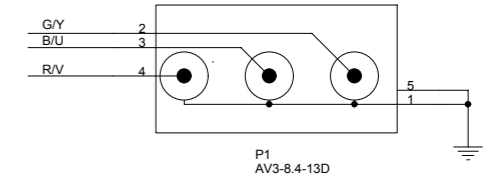
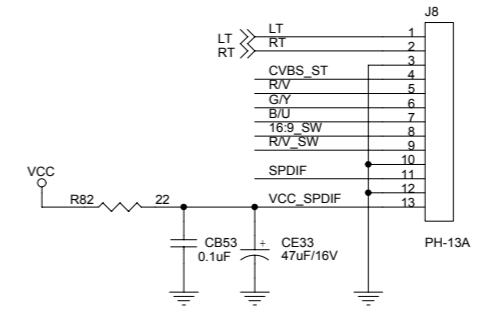
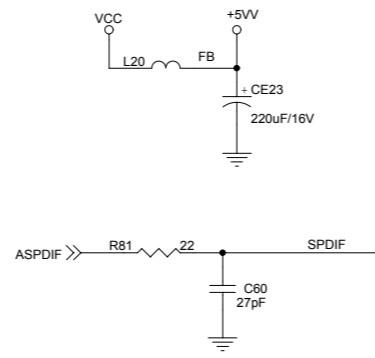
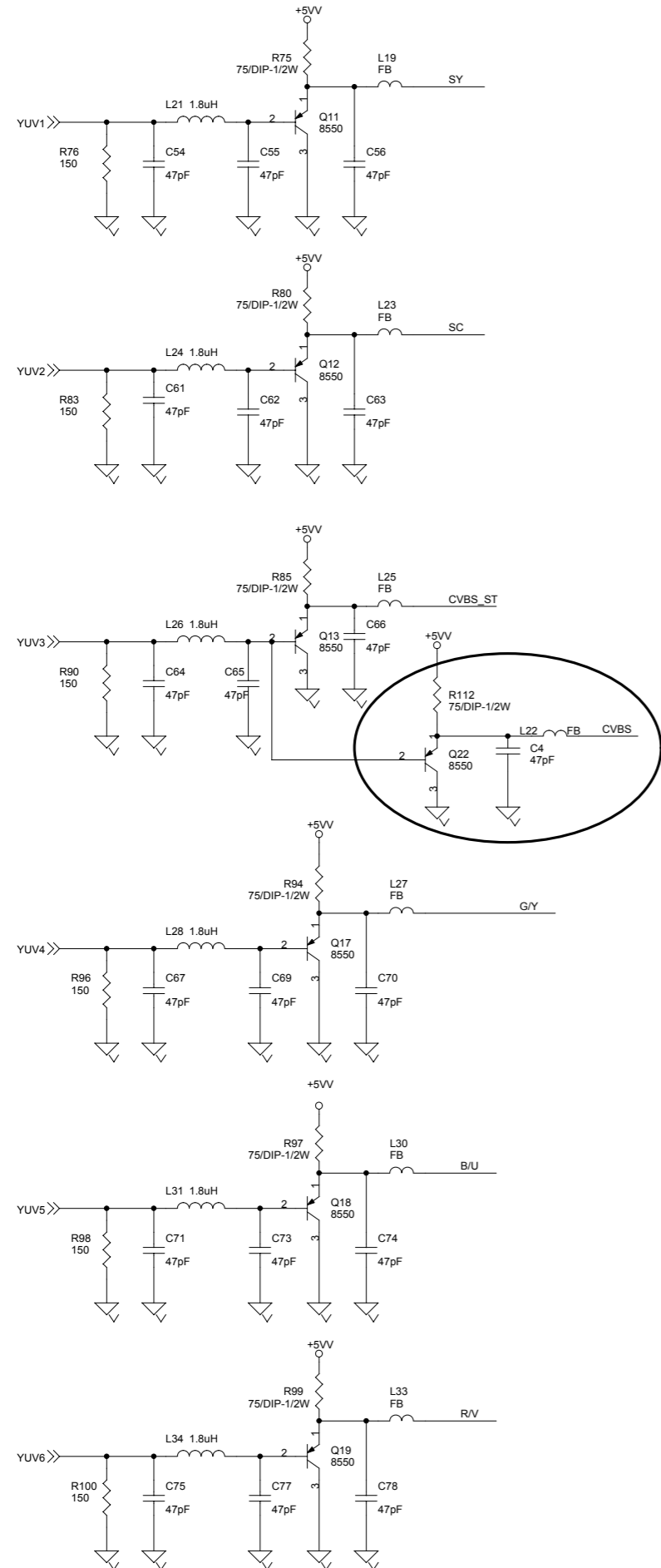
CIRCUIT DIAGRAM - DVD MPEG BOARD

MPEG is not repaired, diagram for reference only.



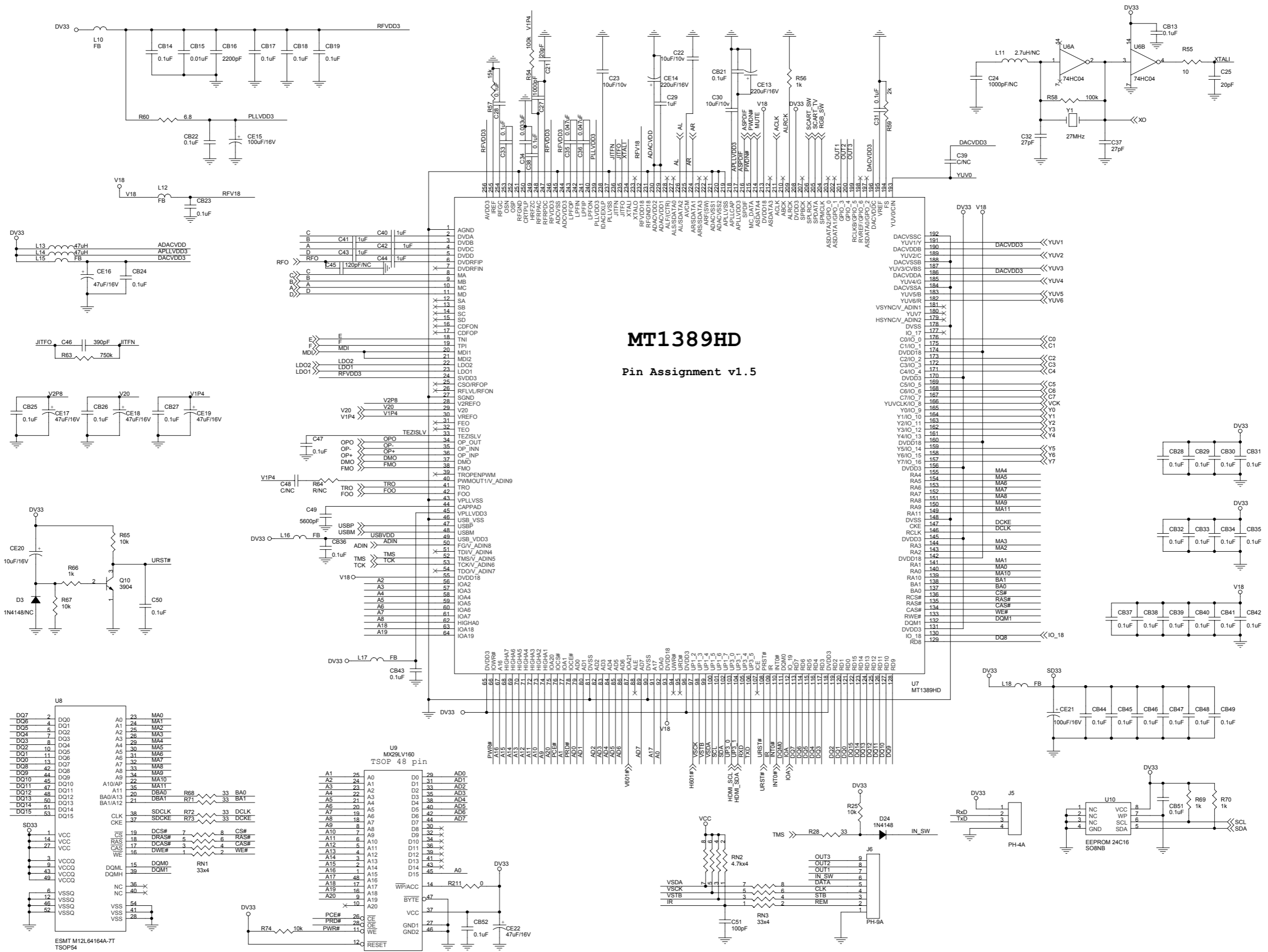
CIRCUIT DIAGRAM - DVD MPEG BOARD

MPEG is not repaired, diagram for reference only.



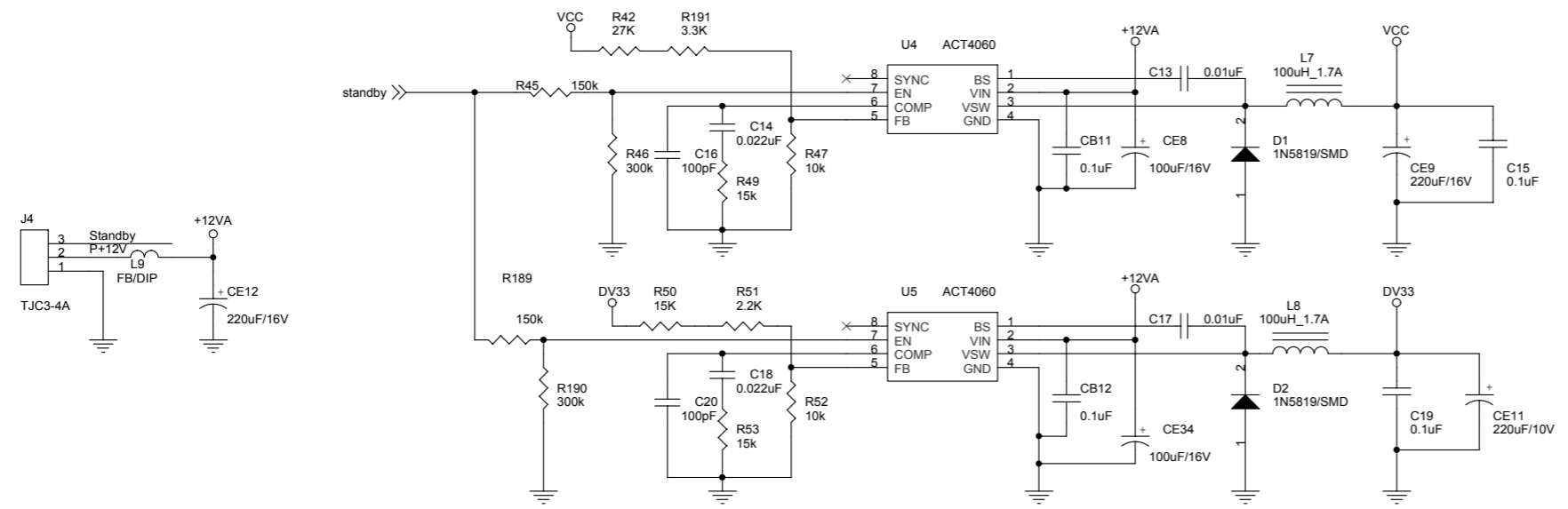
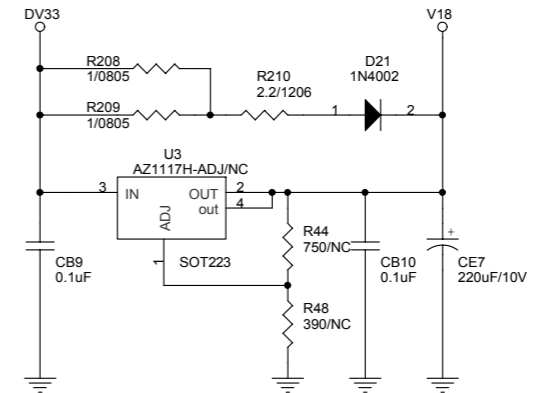
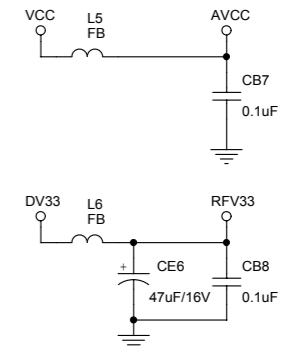
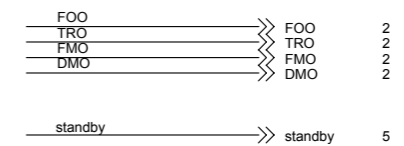
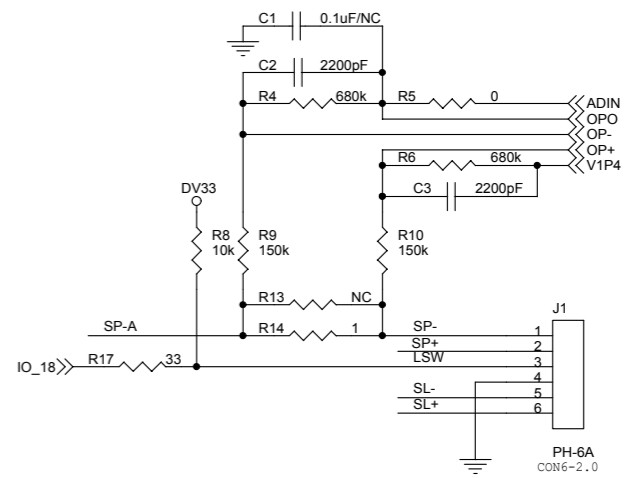
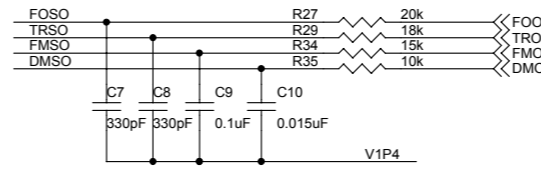
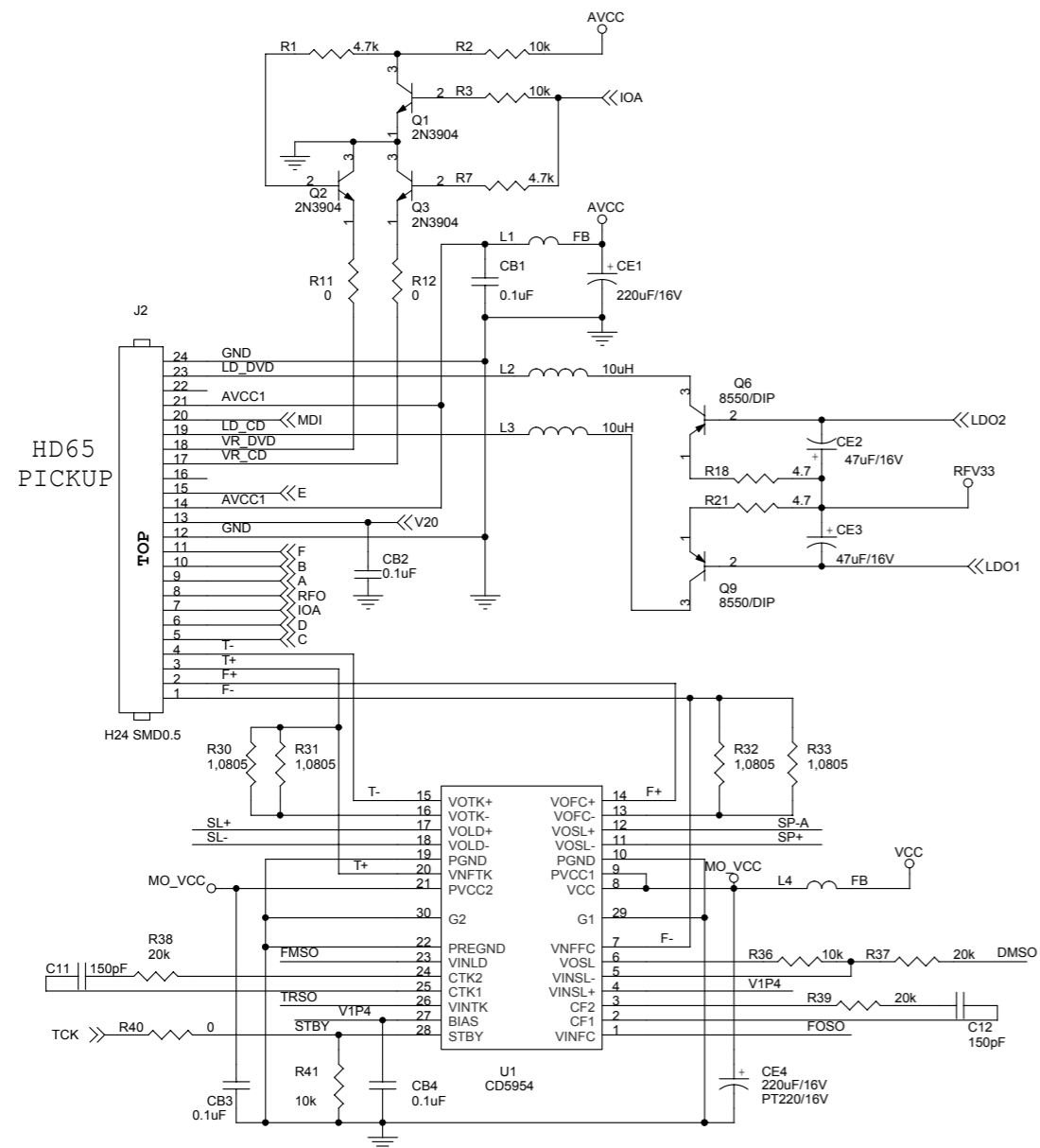
CIRCUIT DIAGRAM - DVD MPEG BOARD

MPEG is not repaired, diagram for reference only.

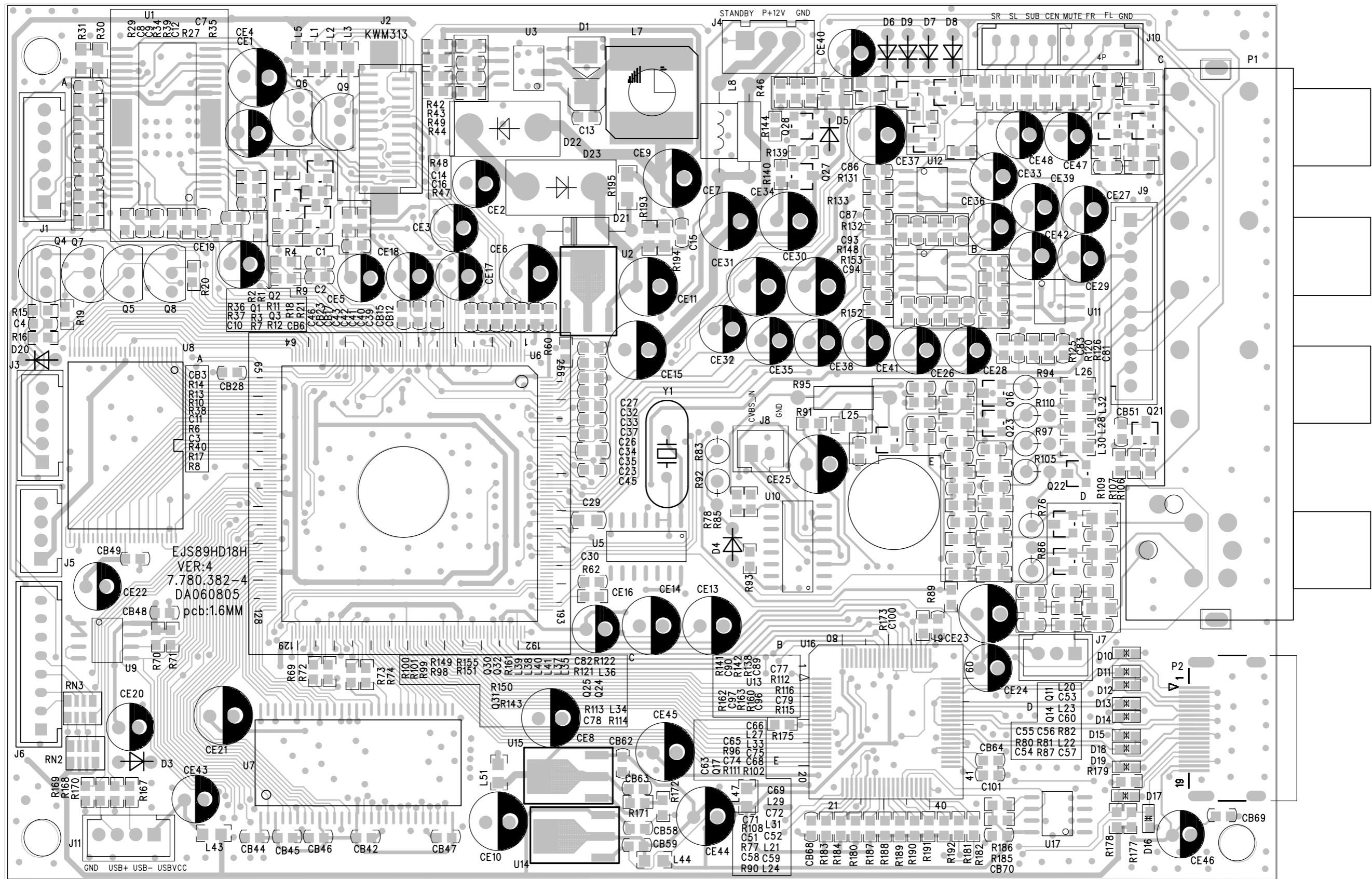


CIRCUIT DIAGRAM - DVD MPEG BOARD

MPEG is not repaired, diagram for reference only.



LAYOUT DIAGRAM - DVD MPEG BOARD
MPEG is not repaired, diagram for reference only.

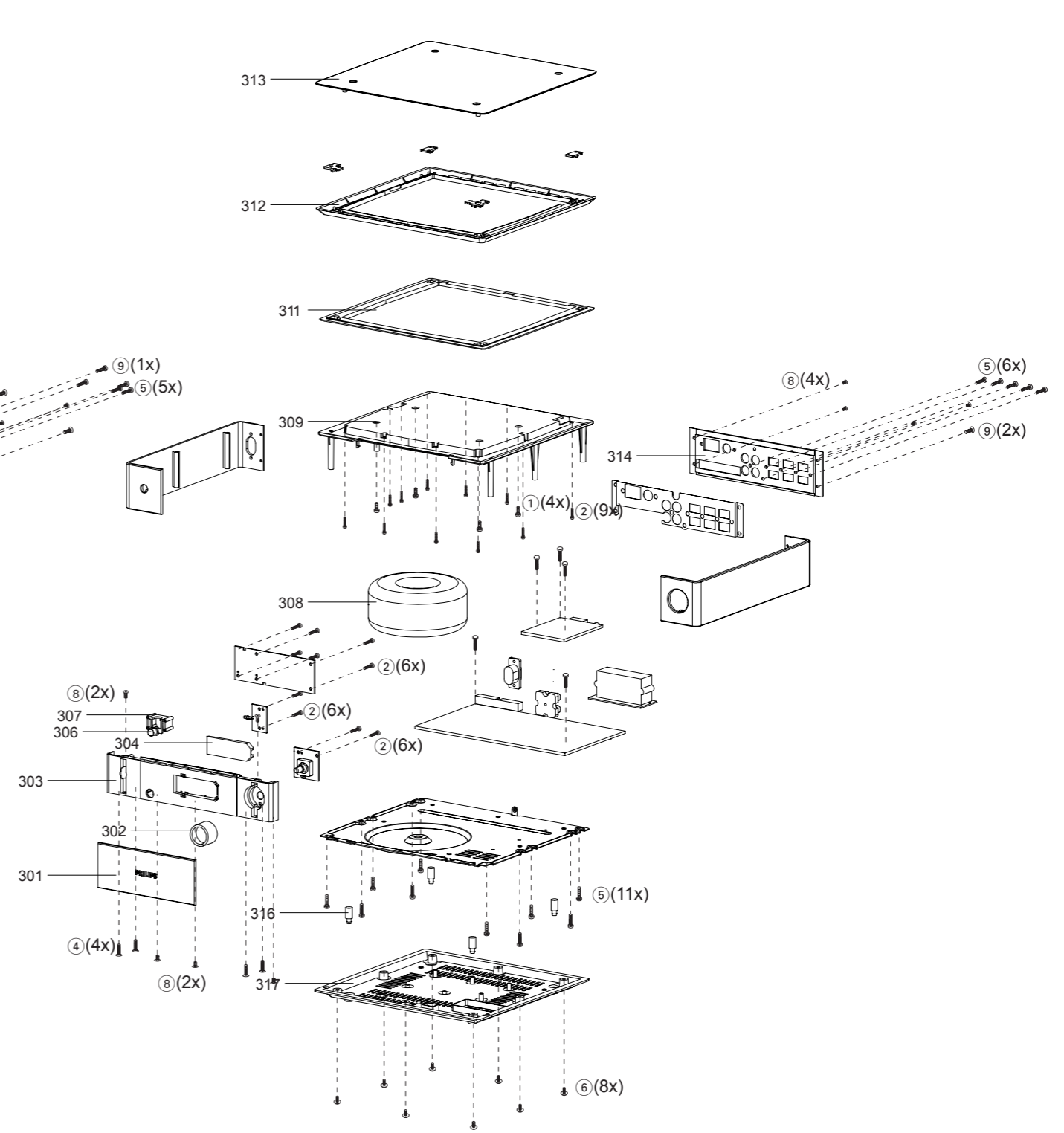
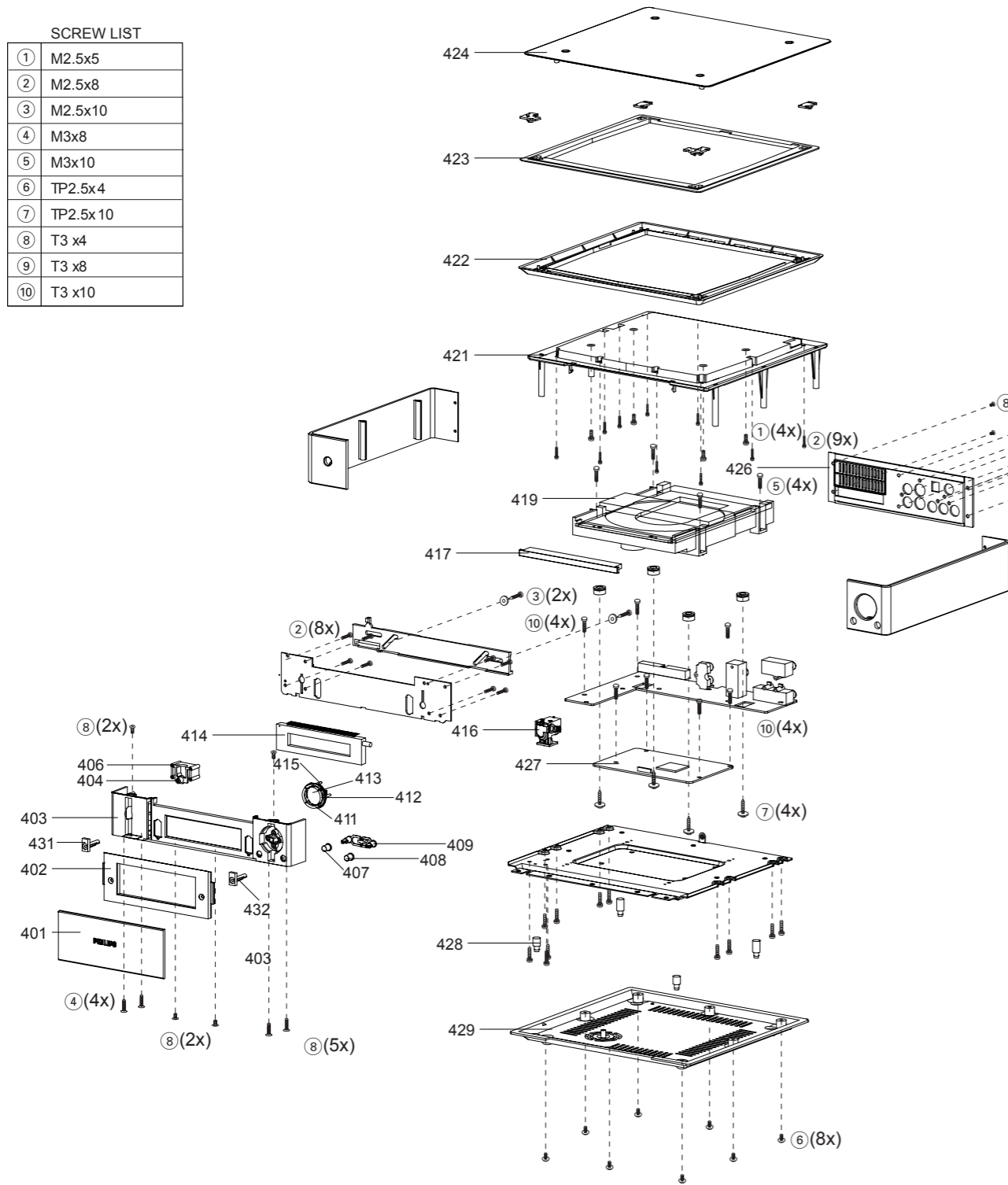


EXPLODED VIEW DIAGRAM

DVD PART

AMP PART

SCREW LIST	
①	M2.5x5
②	M2.5x8
③	M2.5x10
④	M3x8
⑤	M3x10
⑥	TP2.5x4
⑦	TP2.5x10
⑧	T3 x4
⑨	T3 x8
⑩	T3 x10



ACCESSORIES

996510000489	REMOTE CONTROL ASS'Y -/93
996510000211	REMOTE CONTROL ASSY -/98
996510000212	AM ANTENNNA 26WIRE 5.5m BLACK
996500041018	FM ANTENNA WIRE 1.5M
996510000213	CONTROL CABLE 350 2.5/34P
994000005166	AC LINE CORD 1.8M
996510000214	SUBWOOFER SPEAKER WIRE 9P 3M
996510000215	SPEAKER CORDS 15M
996510000216	SPEAKER CORDS 8M
996510000217	SPEAKER CORDS 15M
996510000218	VIDEO CABLE 1.5m 3P RD WHI YEL
996510000219	MAIN SPEAKER BOX ASS'Y -/98
996510000220	CENTER SPEAKER BOX ASS'Y -/98
996510000221	ENCIRCLE SPEAKER BOX ASS'Y -/98
996510000222	WOOFER SPEAKER BOX ASS'Y -/98
996510000487	CENTER SPEAKER ONE BOX -/93
996510000488	SPEAKER BOX INCLU.L&R BOX -/93
996510000486	ENCIRCLE SPEAKER BOX INCLU.L&R -/93
996510000479	WOOFER SPEAKER BOX -/93
996500041615	ANTENNA HOLDER ASS'Y AM -/93
996510000490	GIFT BOX PH -/93
996510000491	CARTON BOX PH -/93

MECHANICAL PARTSLIST**AMP PART**

301	996510000474	AMP DISPLAY LENS
302	996510000477	AMP VOLUME KNOB
303	996510000469	AMP CABINET FRONT
304	996510000475	LOGO LIGHT GUIDE
306	996510000743	MCD705 AMP SOURCE BUTTON ABS
307	996510000473	AMP SOURCE BUTTON-BRACKET
308	996510000744	TRANSFORMER 429D-98 120/230V -/98
308	996510000482	TRANSFORMER 419D-93 220V/50 -/93
309	996510000240	TOP COVER1 PC
311	996510000239	TOP LIGHT LENS PMMA
312	996510000241	TOP COVER2 ABS
313	996510000470	AMP TOP COVER
314	996510000471	AMP REAR CABINET
316	996510000255	RUBBER FOOT B
317	996510000472	AMP BOTTOM HIPS
	994000004884	AC SOCKET 1A/250V

Note: Only these parts mentioned in the list are normal service parts.

MECHANICAL PARTSLIST**DVD PART**

401	996510000253	DVD DISPLAY LENS
402	996500038468	DVD DOOR BRACKET
403	996510000242	DVD CABINET FRONT ABS
404	996510000252	DVD STANDBY BUTTON ABS
406	996510000247	DVD STANDBY BUTTON-BRACKET ABS
407	994000005162	OPEN/CLOSE
408	996510000248	DVD SUR BUTTON ABS
409	996510000246	DVD SKIP BUTTON BRACKET ABS
411	996510000249	DVD CONTROL BUTTON ABS(UP&DOWN)
412	996510000250	DVD CONTROL BUTTON ABS(L&R)
413	996510000251	DVD CONTROL BUTTON CENTRE ABS
414	996500041321	VFD DISPLAY
415	996510000245	DVD CONTROL BUTTON BRACKET ABS
416	996500041634	MOTOR ASS'Y MCD708 -/98
416	996510000454	MOTOR ASS'Y -/93
417	996510000244	DVD DOOR ABS
419	996500042540	DVD DISC ASS'Y -/98
419	996510000453	DVD DISC ASS'Y -/93
421	996510000240	TOP COVER1 PC
422	996510000239	TOP LIGHT LENS PMMA
423	996510000241	TOP COVER2 ABS
424	996510000238	DVD TOP COVER ABS
426	996510000243	MCD759 DVD REAR CABINET
427	996510000460	DECODER CARD ASS'Y -/93
427	996510000257	DECODER CARD ASS'Y -98
428	996510000254	RUBBER FOOT A
428	996510000255	RUBBER FOOT B
429	996500038160	DVD CABINET BOTTOM
431	994000005163	DVD DOOR POST-L
432	994000005164	DVD DOOR POST-R
	996510000256	FLAT FLEX CABLE 24PX120X0.5XA

Note: Only these parts mentioned in the list are normal service parts.

ELECTRICAL PARTSLIST - DVD PART**- MISCELLANEOUS -**

R25	△	996500038168	FUSE F1A/125V
R90	△	996500038168	FUSE F1A/125V
X1		994000004945	CER. FILTER FREQUENCY 4.19MHZ
X2		996510000012	CRYSTAL OSC FREQ.32.768KHz
SW601		994000004963	LIGHT TOUCH SW. TC103 H5
SW602		994000004963	LIGHT TOUCH SW. TC103 H5
SW603		994000004963	LIGHT TOUCH SW. TC103 H5
SW604		994000004963	LIGHT TOUCH SW. TC103 H5
SW605		994000004963	LIGHT TOUCH SW. TC103 H5
SW606		994000004963	LIGHT TOUCH SW. TC103 H5
SW607		994000004963	LIGHT TOUCH SW. TC103 H5
SW608		994000004963	LIGHT TOUCH SW. TC103 H5
VFD701		996500041321	VFD DISPLAY
CJ401		996510000235	OPTICAL DIGITAL JACK TX179AT
J200		996510000228	RCA SOCKET 2p AV2-8.4-13 RD WH
		996510000236	TUNER BOARD PCB ASS'Y EC06-04
		996510000224	CPU PCB ASS'Y MCD759
		996510000229	DISPLAY PCB ASS'Y MCD759

- DIODES -

LED1103		994000004947	LED DIODE D3 3B4SCB01 (BLUE)
LED1104		994000004947	LED DIODE D3 3B4SCB01 (BLUE)
LED1200		994000004947	LED DIODE D3 3B4SCB01 (BLUE)
LED1100		994000004947	LED DIODE D3 3B4SCB01 (BLUE)
LED1101		994000004947	LED DIODE D3 3B4SCB01 (BLUE)
LED1201		994000004947	LED DIODE D3 3B4SCB01 (BLUE)




- IC & TRANSISTORS -

IC1		996510000226	IC PT2323 SOP
IC2		996510000225	IC PT2322 SOP
IC3		996510000227	MCU PARTS ASS'Y /98
IC3		996510000452	MCU PARTS ASS'Y /93
IC4		994000004951	IC 24C01A-SC27
IC6		996510000010	IC LM7805/LM340T5 7805
IC9		996510000010	IC LM7805/LM340T5 7805
IC601		994000004958	IC PT6311/SC16311/CD16311

Note: Only these parts mentioned in the list are normal service parts.

ELECTRICAL PARTSLIST - AMP PART

- MISCELLANEOUS -

F201		994000004872	FUSE F6.3A L250V (in AMP board)
F201		994000004867	FUSE F2AL250V
F202		994000004872	FUSE F6.3A L250V
F203		996500042106	FUSE F1.5A/125V
SW901		996510000263	LIGHT TOUCH SWITCH 6X6X5
JACK201		994000004943	S-SOCKET DS-106
JACK501		996510000467	POWER SOCKET DC-101A-EP
JACK502		996510000467	POWER SOCKET DC-101A-EP
JACK503		996510000467	POWER SOCKET DC-101A-EP
XT201		996510000266	CERAMIC FILTER CRB 700KHz
XT202		996510000265	CERMIC FILTER CRB 600KHz
		996500041645	ROT ENCODER
		994000004961	IR SENSOR BLACK
		996510000523	SWITCH VSC-22-1-110/220V-m
		996510000264	AMP PCB ASS'Y -2 MCD759

- DIODES -

LED1001		996510000260	WHITE LED DIODE 3R41W71W-EB
LED1103		994000004947	LED DIODE D3 3B4SCB01 (BLUE)
LED1104		994000004947	LED DIODE D3 3B4SCB01 (BLUE)
LED1200		994000004947	LED DIODE D3 3B4SCB01 (BLUE)
LED1100		994000004947	LED DIODE D3 3B4SCB01 (BLUE)
LED1101		994000004947	LED DIODE D3 3B4SCB01 (BLUE)
LED1201		994000004947	LED DIODE D3 3B4SCB01 (BLUE)

- IC & TRANSISTORS -

IC202		994000004937	IC 7812
IC203		996510000464	CHIP IC TDA8920
IC204		996510000464	CHIP IC TDA8920
IC205		996510000463	CHIP IC 74HCU04D
IC206		996510000267	IC HEF4013T CHIP
Q202		994000004938	TRANSISTOR 2SB772A
Q206		996500042558	MOSFET BUK7509-55A
Q207		996500042558	MOSFET BUK7509-55A
Q210		996510000006	MOSFET BUK7535-55A

Note: Only these parts mentioned in the list are normal service parts.

ELECTRICAL PARTSLIST - WOOFER SPEAKER BOX(only for -/93)**- MISCELLANEOUS -**

	996510000480	SUPER WOOFER SPEAKER BOX ASS'Y /93
	996510000481	WOOFER SPEAKER 8" 8Ω 150W
	994000004884	AC SOCKET 1A/250V (AC-001)
	996510000482	TRANSFORMER 419D-93 220V/50 /93
	996510000483	SWITCH KCD-1 8A/250V
	996510000484	WOOFER AMP PCB ASS'Y
Q202	994000004938	TRANSISTOR 2SB772A
Q206	996500042558	MOSFET BUK7509-55A
Q207	996500042558	MOSFET BUK7509-55A
F201	⚠ 994000004872	FUSE F6.3AL250V(50F)
F202	⚠ 994000004872	FUSE F6.3AL250V(50F)
F203	⚠ 994000004872	FUSE F1.5A/125V
IC205	996510000463	CHIP IC 74HCU04D
JACK302	996510000467	POWER SOCKET DC-101A-EP
JACK301	996510000467	POWER SOCKET DC-101A-EP
JACK201	994000004943	S-SOCKET DS-106
IC206	996510000267	IC HEF4013T CHIP
IC202	994000002526	IC 7812
IC203	996510000464	CHIP IC TDA8920(PACKING)
IC204	996510000464	CHIP IC TDA8920(PACKING)
IC201	994000004978	IC TL072 (PACKING NE4558)

Note: Only these parts mentioned in the list are normal service parts.

REVISION LIST

Version 1.0 (3141 785 31290)

- Initial Release

Version 1.1 (3141 785 31291)

- New version MCD759/93 is introduced.
- Pages 13-2 : Mechanical parts list adapted.
- Pages 14-1 and 14-3 : Electrical parts list adapted.